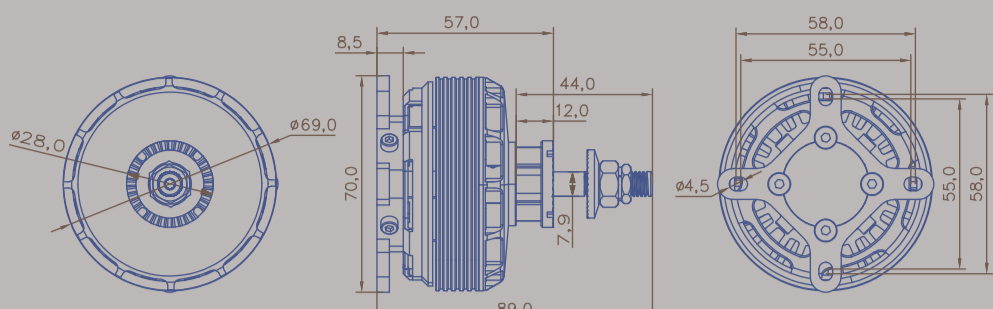


GA1500



Specification

2nd Generation GA Series	GA1500.5
Item NO. (商品编码)	51548
RPM/V (KV值)	500 RPM/V
Weight (不含配件重量) (含配件重量)	280g(body only), 344g(w/ accessories)
Outer Diameter (直径)	69mm
Length w/ mounts (长度(带桨座))	57mm
Length(overall)(长度)	89mm
Diameter of Shaft (轴径)	8mm(internal), 8mm(output)
Mounting holes pitch (安装孔距)	55mm to 58mm
Slots,Poles (槽数, 极数)	24, 28
Idle Current(Io) @10V (空载电流)	2A
Resistance(Ri) (电阻)	16.2mOhm
Nominal Voltage(V)(额定电压)	18.5V-22.2V, 5S-6S Lipo
Peak power[15s] (峰值功率)	1500W
Bursts current[15s] (峰值电流)	70A
Cruising power[8 mins] (巡航功率)	800W
Recommended ESC (调速器)	Summit 100 light
Propeller (螺旋桨配置)	15x8 for best efficiency 16x8 for pilots performance 17x8 for extreme thrust
Weight of sports airplane (运动飞机的重量)	Up to 4.5 kg
Weight of 3D airplane (3D飞机的重量)	Up to 3.0 kg
Applications (应用)	Designed for 70E class 3D airplane(60-63" wingspan)

GA1500.5 (500KV)

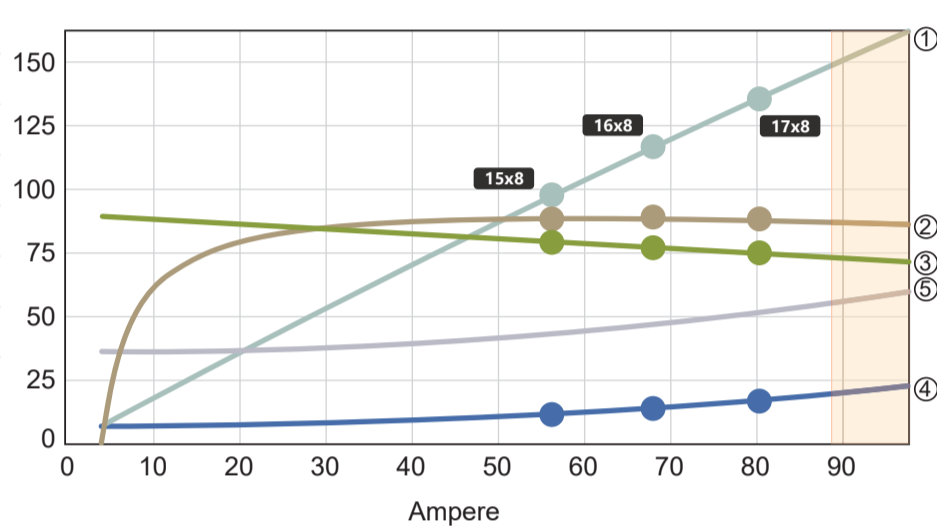
Motor @ Optimum Efficiency

优化效率

Current(电流):	57.09A
Voltage(电压):	17.38V
Revolutions(转速):	7914rpm
Electric Power(输入功率):	992.2W
Mech. Power(输出功率):	877.4W
Efficiency(效率):	88.4%

- ① el. Power [in 10W]
- ② Efficiency [%]
- ③ max. Revolutions [in 100rpm]
- ④ waste Power [W]
- ⑤ Motor Case Temp. [°C]

Motor Characteristic at Full Throttle



Voltage (V)	Propeller	Propeller (RPM)	Throttle (%)	Current (DC) (A)	Volage (DC) (V)	el. Power (W)	Efficiency (%)	Thrust (g)	Spec. Thrust (g/W)
18.5V (5S LIPO)	15x8	1800	21	0.9	18.5	15.8	64.9	235	14.9
		2400	27	1.7	18.5	32.2	75.2	418	13
		3000	35	3.2	18.4	58.5	80.9	654	11.2
		3600	42	5.3	18.4	97.1	84.3	942	9.7
		4200	49	8.2	18.4	150.6	86.3	1282	8.5
		4800	57	12.2	18.3	221.7	87.5	1674	7.5
		5400	64	17.3	18.2	313.1	88.2	2118	6.8
		6000	72	23.7	18.1	427.4	88.6	2615	6.1
		6600	80	31.8	17.9	567.5	88.8	3165	5.6
		7200	89	41.7	17.7	736.2	88.9	3766	5.1
	7800	98	53.7	17.5	936.3	88.9	4420	4.7	
	7921	100	56.7	17.5	985.5	88.4	4559	4.6	
	16x8	2000	23	1.3	18.5	24.7	73.7	353	14.3
		2500	29	2.4	18.5	44.4	79.9	551	12.4
		3000	35	4	18.4	73.3	83.6	794	10.8
		3500	41	6.2	18.4	113.3	85.9	1080	9.5
		4000	47	9.1	18.3	166.5	87.2	1411	8.5
		4500	53	12.9	18.3	234.8	88.1	1785	7.6
		5000	60	17.7	18.2	320.3	88.6	2204	6.9
		5500	67	23.6	18.1	425	88.8	2667	6.3
		6000	74	30.9	17.9	551.1	89	3174	5.8
		6500	81	39.6	17.8	700.7	88.9	3725	5.3
	7000	89	50.1	17.6	876.1	88.9	4320	4.9	
	7500	97	62.5	17.4	1079.3	88.7	4960	4.6	
	7700	100	68.6	17.3	1176.7	88.2	5228	4.4	
	17x8	2000	23	1.6	18.5	29.9	77.3	423	14.1
		2500	29	3	18.4	54.7	82.6	661	12.1
		3000	35	5	18.4	91.4	85.5	952	10.4
		3500	41	7.8	18.4	142.3	87.1	1296	9.1
		4000	48	11.5	18.3	210.2	88.1	1692	8.1
4500		54	16.4	18.2	297.6	88.6	2142	7.2	
5000		61	22.6	18.1	407.3	88.8	2644	6.5	
5500		68	30.4	18	541.9	88.8	3199	5.9	
6000		76	39.9	17.8	704.3	88.7	3807	5.4	
6500		83	51.4	17.6	897.4	88.5	4468	5	
7000	92	65.4	17.3	1124	88.3	5182	4.6		
7462	100	81.4	17	1376.6	87.6	5889	4.3		

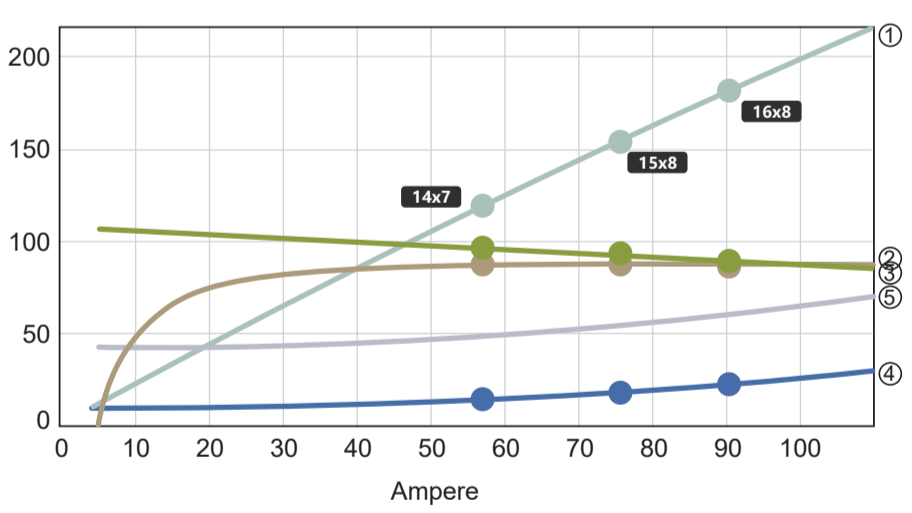
Motor @ Optimum Efficiency

优化效率

Current(电流):	71.05A
Voltage(电压):	20.55V
Revolutions(转速):	9325rpm
Electric Power(输入功率):	1460.2W
Mech. Power(输出功率):	1286.0W
Efficiency(效率):	88.1%

- ① el. Power [in 10W]
- ② Efficiency [%]
- ③ max. Revolutions [in 100rpm]
- ④ waste Power [W]
- ⑤ Motor Case Temp. [°C]

Motor Characteristic at Full Throttle



Voltage (V)	Propeller	Propeller (RPM)	Throttle (%)	Current (DC) (A)	Volage (DC) (V)	el. Power (W)	Efficiency (%)	Thrust (g)	Spec. Thrust (g/W)
2.2V (6S LIPO)	14x7	2100	20	0.8	22.2	17.3	62.4	228	13.2
		2800	27	1.6	22.2	35	73	405	11.6
		3500	33	2.9	22.1	63.1	79.1	633	10
		4200	40	4.7	22.1	104.4	82.6	912	8.7
		4900	47	7.3	22	161.5	84.8	1241	7.7
		5600	54	10.8	22	237.3	86.2	1621	6.8
		6300	62	15.3	21.9	334.5	87	2051	6.1
		7000	69	21	21.7	456	87.6	2532	5.6
		7700	77	28.1	21.6	604.7	87.9	3064	5.1
		8400	85	36.7	21.4	783.5	88.1	3647	4.7
	9100	93	47.2	21.2	995.3	88.1	4280	4.3	
	9622	100	56.4	21	1179	87.6	4785	4.1	
	15x8	2100	20	1	22.2	22.9	70.8	320	14
		2800	27	2.2	22.2	48.5	79.4	570	11.7
		3500	34	4.1	22.1	89.7	83.8	890	9.9
		4200	41	6.8	22.1	150.6	86.3	1282	8.5
		4900	48	10.8	22	235.5	87.6	1744	7.4
		5600	56	16	21.9	348.5	88.3	2278	6.5
		6300	63	22.9	21.7	494.1	88.7	2883	5.8
		7000	71	31.6	21.5	676.7	88.9	3560	5.3
		7700	80	42.5	21.3	900.7	88.9	4307	4.8
		8400	89	56.1	21	1170.7	88.8	5126	4.4
	9100	98	72.7	20.6	1491.5	88.6	6016	4	
	9217	100	76.4	20.5	1560.6	88	6171	4	
	16x8	1800	17	0.9	22.2	18.9	70	286	15.1
		2400	23	1.8	22.2	39.8	78.9	508	12.8
		3000	29	3.3	22.1	73.3	83.6	794	10.8
		3600	35	5.6	22.1	122.9	86.2	1143	9.3
		4200	41	8.8	22	191.9	87.6	1555	8.1
		4800	48	13	21.9	283.9	88.4	2031	7.2
5400		54	18.5	21.8	402.4	88.8	2571	6.4	
6000		61	25.6	21.6	551.1	89	3174	5.8	
6600		68	34.4	21.5	733.7	88.9	3841	5.2	
7200		76	45.2	21.2	953.9	88.8	4571	4.8	
7800	84	58.4	20.9	1215.5	88.6	5364	4.4		
8400	92	74.4	20.6	1522.6	88.4	6221	4.1		
8909	100	91.5	20.2	1837.8	87.6	6999	3.8		