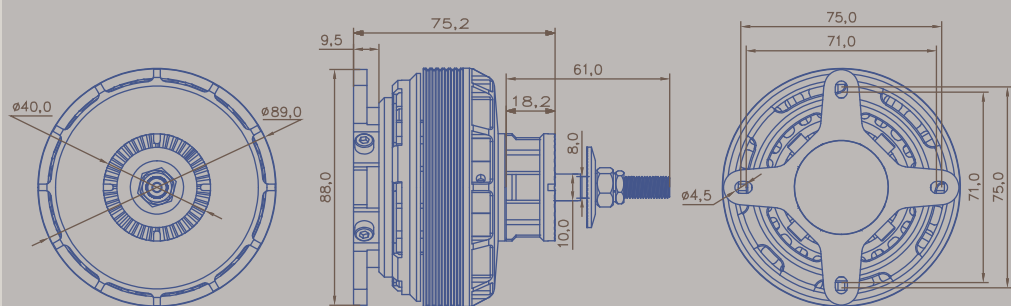


GA3000



Specification

| 2nd Generation GA Series | GA3000.5 | GA3000.7 |
|-------------------------------------|--|--|
| Item NO. (商品编码) | 51550 | 51551 |
| RPM/V (KV值) | 380 RPM/V | 270 RPM/V |
| Weight (不含配件重量) (含配件重量) | 585g(body only), 703g(w/ accessories) | 585g(body only), 703g(w/ accessories) |
| Outer Diameter (直径) | 89mm | 89mm |
| Length w/ mounts (长度(带桨座)) | 75.2mm | 75.2mm |
| Length(overall)(长度) | 118mm | 118mm |
| Diameter of Shaft (轴径) | 12mm(internal), 8mm(output) | 12mm(internal), 8mm(output) |
| Mounting holes pitch (安装孔距) | 71mm to 75mm | 71mm to 75mm |
| Slots,Poles (槽数, 极数) | 24, 28 | 24, 28 |
| Idle Current(Io) @10V (空载电流) | 2.8A | 1.8A |
| Resistance(Ri) (电阻) | 9.5mOhm | 17.3mOhm |
| Nominal Voltage(V) (额定电压) | 22.2V, 6S Lipo | 29.6V, 8S Lipo |
| Peak power[15s] (峰值功率) | 2900W | 3000W@ |
| Bursts current[15s] (峰值电流) | 130A | 100A |
| Cruising power[8 mins] (巡航功率) | 1500W | 1600W |
| Recommended ESC (调速器) | Summit 100HV/120HV | Summit 100HV/120HV |
| Propeller (螺旋桨配置) | 19x10 (9.3KG,120A) 20x10 (10KG, 130A) | 18x10 19x10 20x10 |
| Weight of sports airplane (运动飞机的重量) | Up to 7.5kg | Up to 7.5kg |
| Weight of 3D airplane (3D飞机的重量) | Up to 5.0kg | Up to 5.0kg |
| Applications (应用) | For 120E to 140E class 3D airplane (upto 74" wingspan) | For 120E to 140E class 3D airplane (upto 74" wingspan) |

GA3000.5 (380KV)

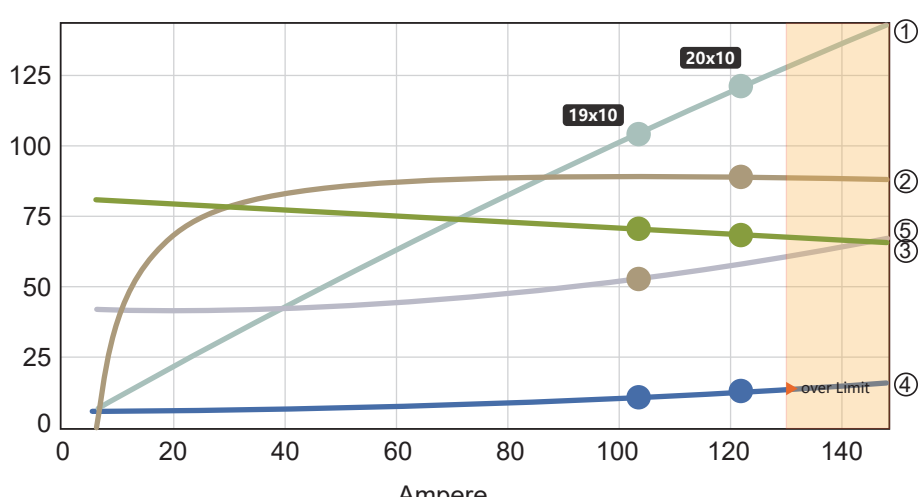
Motor @ Optimum Efficiency

优化效率

| | |
|-----------------------|---------|
| Current(电流): | 101.09A |
| Voltage(电压): | 20.27V |
| Revolutions(转速): | 7064rpm |
| Electric Power(输入功率): | 2049.1W |
| Mech. Power(输出功率): | 1839.5W |
| Efficiency(效率): | 89.8% |

- ① el. Power [in 20W]
- ② Efficiency [%]
- ③ max. Revolutions [in 100rpm]
- ④ waste Power [W]
- ⑤ Motor Case Temp. [°C]

Motor Characteristic at Full Throttle



| Voltage (V) | Propeller | Propeller (RPM) | Throttle (%) | Current (DC) (A) | Volage (DC) (V) | el. Power (W) | Efficiency (%) | Thrust (g) | Spec. Thrust (g/W) |
|--------------------|-----------|-----------------|--------------|------------------|-----------------|---------------|----------------|------------|--------------------|
| 22.2V (6S LIPO) | 19x10 | 1500 | 19 | 1.3 | 22.2 | 28.5 | 66.8 | 415 | 14.6 |
| | | 2000 | 25 | 2.7 | 22.2 | 58.7 | 76.9 | 738 | 12.6 |
| | | 2500 | 32 | 4.9 | 22.1 | 106.9 | 82.5 | 1153 | 10.8 |
| | | 3000 | 38 | 8.1 | 22.1 | 177.7 | 85.7 | 1661 | 9.3 |
| | | 3500 | 45 | 12.6 | 22 | 276.1 | 87.6 | 2261 | 8.2 |
| | | 4000 | 52 | 18.7 | 21.9 | 406.7 | 88.8 | 2953 | 7.3 |
| | | 4500 | 59 | 26.6 | 21.8 | 574.5 | 89.5 | 3737 | 6.5 |
| | | 5000 | 66 | 36.7 | 21.6 | 784.5 | 89.9 | 4614 | 5.9 |
| | | 5500 | 74 | 49.2 | 21.4 | 1041.7 | 90.1 | 5583 | 5.4 |
| | | 6000 | 82 | 64.7 | 21.1 | 1351.2 | 90.2 | 6644 | 4.9 |
| | 6500 | 91 | 83.6 | 20.8 | 1718.3 | 90.2 | 7798 | 4.5 | |
| | 6999 | 100 | 107 | 20.4 | 2156.2 | 89.8 | 9040 | 4.2 | |
| | 20x10 | 1500 | 19 | 1.5 | 22.2 | 33 | 70.8 | 484 | 14.7 |
| | | 2000 | 25 | 3.2 | 22.1 | 69.4 | 79.8 | 861 | 12.4 |
| | | 2500 | 32 | 5.8 | 22.1 | 128 | 84.5 | 1345 | 10.5 |
| | | 3000 | 38 | 9.8 | 22 | 214.6 | 87.2 | 1937 | 9 |
| | | 3500 | 45 | 15.4 | 21.9 | 335 | 88.7 | 2637 | 7.9 |
| | | 4000 | 52 | 22.9 | 21.8 | 495.3 | 89.5 | 3444 | 7 |
| | | 4500 | 60 | 32.7 | 21.7 | 701.8 | 89.9 | 4359 | 6.2 |
| | | 5000 | 67 | 45.3 | 21.4 | 960.5 | 90.1 | 5381 | 5.6 |
| 5500 | | 76 | 61.1 | 21.2 | 1277.9 | 90.2 | 6512 | 5.1 | |
| 6000 | | 84 | 80.7 | 20.8 | 1660.4 | 90.1 | 7749 | 4.7 | |
| 6500 | 94 | 104.9 | 20.4 | 2114.6 | 90 | 9095 | 4.3 | | |
| 6814 | 100 | 123.7 | 20.1 | 2453.1 | 89.5 | 9995 | 4.1 | | |

GA3000.7 (270KV)

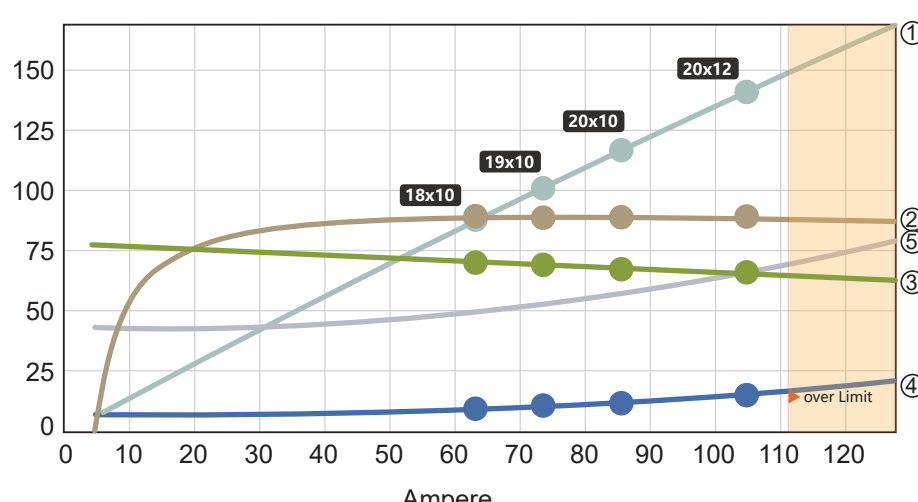
Motor @ Optimum Efficiency

优化效率

| | |
|-----------------------|---------|
| Current(电流): | 76.87A |
| Voltage(电压): | 27.7V |
| Revolutions(转速): | 6854rpm |
| Electric Power(输入功率): | 2129.3W |
| Mech. Power(输出功率): | 1909.1W |
| Efficiency(效率): | 89.7% |

- ① el. Power [in 20W]
- ② Efficiency [%]
- ③ max. Revolutions [in 100rpm]
- ④ waste Power [W]
- ⑤ Motor Case Temp. [°C]

Motor Characteristic at Full Throttle



| Voltage (V) | Propeller | Propeller (RPM) | Throttle (%) | Current (DC) (A) | Volage (DC) (V) | el. Power (W) | Efficiency (%) | Thrust (g) | Spec. Thrust (g/W) |
|--------------------|-----------|-----------------|--------------|------------------|-----------------|---------------|----------------|------------|--------------------|
| 28.6V (8S LIPO) | 18x10 | 1500 | 20 | 0.8 | 29.6 | 24.9 | 61.6 | 353 | 14.2 |
| | | 2000 | 26 | 1.7 | 29.6 | 50 | 72.8 | 628 | 12.6 |
| | | 2500 | 33 | 3 | 29.5 | 89.6 | 79.3 | 981 | 11 |
| | | 3000 | 40 | 5 | 29.5 | 147.5 | 83.2 | 1412 | 9.6 |
| | | 3500 | 47 | 7.8 | 29.4 | 227.5 | 85.6 | 1922 | 8.4 |
| | | 4000 | 54 | 11.4 | 29.3 | 333.5 | 87.2 | 2511 | 7.5 |
| | | 4500 | 61 | 16.1 | 29.2 | 469.5 | 88.2 | 3178 | 6.8 |
| | | 5000 | 68 | 22 | 29.1 | 639.2 | 88.9 | 3923 | 6.1 |
| | | 5500 | 76 | 29.4 | 28.9 | 846.9 | 89.3 | 4747 | 5.6 |
| | | 6000 | 83 | 38.3 | 28.7 | 1096.3 | 89.5 | 5649 | 5.2 |
| | 6500 | 91 | 49.1 | 28.5 | 1391.7 | 89.7 | 6630 | 4.8 | |
| | 7000 | 100 | 61.9 | 28.2 | 1737.2 | 89.7 | 7689 | 4.4 | |
| | 7021 | 100 | 62.6 | 28.2 | 1756 | 89.4 | 7736 | 4.4 | |
| | 19x10 | 1500 | 20 | 1 | 29.6 | 28.7 | 66.3 | 415 | 14.5 |
| | | 2000 | 26 | 2 | 29.6 | 59.1 | 76.4 | 738 | 12.5 |
| | | 2500 | 33 | 3.6 | 29.5 | 107.4 | 82.1 | 1153 | 10.7 |
| | | 3000 | 40 | 6.1 | 29.5 | 178.5 | 85.4 | 1661 | 9.3 |
| | | 3500 | 47 | 9.5 | 29.4 | 277 | 87.3 | 2261 | 8.2 |
| | | 4000 | 54 | 14 | 29.3 | 407.9 | 88.5 | 2953 | 7.2 |
| | | 4500 | 61 | 19.8 | 29.2 | 576 | 89.3 | 3737 | 6.5 |
| | | 5000 | 69 | 27.2 | 29 | 786.3 | 89.7 | 4614 | 5.9 |
| | | 5500 | 77 | 36.4 | 28.8 | 1043.8 | 89.9 | 5583 | 5.3 |
| | | 6000 | 85 | 47.7 | 28.5 | 1353.6 | 90 | 6644 | 4.9 |
| | 6500 | 93 | 61.3 | 28.2 | 1720.8 | 90 | 7798 | 4.5 | |
| | 6888 | 100 | 74 | 27.9 | 2055.5 | 89.6 | 8755 | 4.3 | |
| | 20x10 | 1500 | 20 | 1.1 | 29.6 | 33.2 | 70.3 | 484 | 14.6 |
| | | 2000 | 27 | 2.4 | 29.5 | 69.8 | 79.4 | 861 | 12.3 |
| | | 2500 | 33 | 4.4 | 29.5 | 128.5 | 84.2 | 1345 | 10.5 |
| | | 3000 | 40 | 7.3 | 29.4 | 215.1 | 86.9 | 1937 | 9 |
| | | 3500 | 47 | 11.5 | 29.3 | 335.7 | 88.5 | 2637 | 7.9 |
| | | 4000 | 55 | 17.1 | 29.2 | 496.1 | 89.4 | 3444 | 6.9 |
| | | 4500 | 62 | 24.3 | 29.1 | 702.5 | 89.8 | 4359 | 6.2 |
| | | 5000 | 70 | 33.5 | 28.8 | 961.1 | 90.1 | 5381 | 5.6 |
| | | 5500 | 78 | 45 | 28.6 | 1278.2 | 90.2 | 6512 | 5.1 |
| | | 6000 | 86 | 59.1 | 28.3 | 1660.2 | 90.1 | 7749 | 4.7 |
| | 6500 | 95 | 76.3 | 27.9 | 2113.5 | 90 | 9095 | 4.3 | |
| | 6743 | 100 | 86.4 | 27.7 | 2373.1 | 89.6 | 9787 | 4.1 | |
| | 20x12 | 1500 | 20 | 1.4 | 29.6 | 41.4 | 75.4 | 581 | 14.1 |
| | | 2000 | 27 | 3 | 29.5 | 89.2 | 82.8 | 1033 | 11.6 |
| | | 2500 | 34 | 5.7 | 29.5 | 166.7 | 86.5 | 1614 | 9.7 |
| 3000 | | 41 | 9.6 | 29.4 | 281.9 | 88.5 | 2325 | 8.2 | |
| 3500 | | 48 | 15.2 | 29.3 | 442.7 | 89.4 | 3164 | 7.1 | |
| 4000 | | 56 | 22.7 | 29.1 | 657.4 | 89.9 | 4133 | 6.3 | |
| 4500 | | 63 | 32.6 | 28.9 | 934.4 | 90.1 | 5231 | 5.6 | |
| 5000 | | 72 | 45.2 | 28.6 | 1282.2 | 90 | 6458 | 5 | |
| 5500 | | 80 | 61 | 28.2 | 1709.7 | 89.9 | 7814 | 4.6 | |
| 6000 | | 90 | 80.8 | 27.8 | 2225.7 | 89.6 | 9299 | 4.2 | |
| 6500 | 100 | 105.2 | 27.2 | 2839.7 | 89.3 | 10914 | 3.8 | | |
| 6509 | 100 | 106.4 | 27.2 | 2869.9 | 88.9 | 10945 | 3.8 | | |