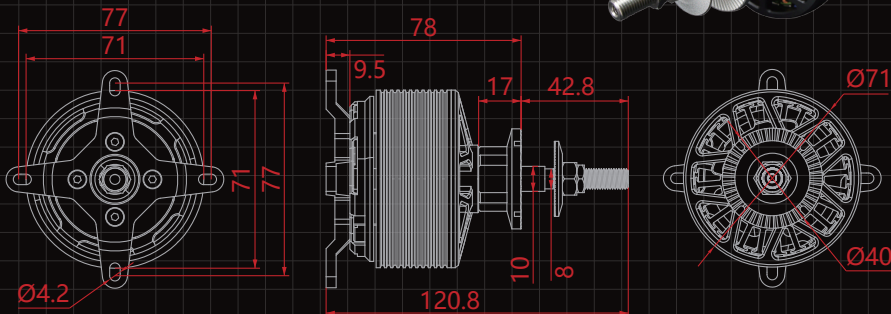


## Dimension 尺寸图

(Unit : mm)



## Specification 规格

### GA RACING SERIES

### GA3500R

SKU (商品编码)	52059
KV (KV值)	200
Weight(g) (不含配件重量 & 含配件重量)	538 (body only), 628 (w/ accessories)
Dimensions(D x L)[mm] (尺寸)	71x78
Length(overall)[mm] (长度)	120.8
Diameter of Shaft (mm) (轴径)	9 (internal), 8 (output)
Spec. of Mounting Holes (安装孔距)	71 to 77
Slots & Poles (槽数, 极数)	24,28
I <sub>o</sub> @10V (A) (空载电流)	1.2
R <sub>i</sub> (mOhm) (电机内阻)	28.4
No.of Cells(LiPo) (适用电池)	30-51V, 10-12S Lipo
Peak Power(15S)[W] (峰值功率)	3550 (4.9HP)
Burst Current (15S) & Peak Torque (峰值电流&峰值扭矩)	80A, 4.68N*M
Cruising power(8mins)[W] (巡航功率)	1800
Recommended ESC (推荐调速器)	SUMMIT 120HV
Recommended Propeller (螺旋桨)	10S: 18x10,19x10,20x10CF,20.5x12 12S: 18x10,19x10,20x10CF,22x10CF
Weight of sports airplane	Up to 12 kg
Weight of 3D airplane	Up to 5.5 kg
Application (适用级别)	For 35cc class(equivalent to .170E) 3D airplane(upto 74"-78" wingspan)

注: <sup>1</sup> Suggested working voltage(NOC) 建议工作电压(串联节数)

<sup>2</sup> Good throttle management needed 可在有效控制油门的情况下使用

# 37V

# GA3500R(200KV)

## Motor @ Optimum Efficiency 优化效率点

55.1  
A

**Current**  
电流

6364  
rpm

**Revolutions**  
转速

1908  
W

**Electric Power**  
电功率

1722  
W

**Mech. Power**  
机械功率

90.2  
%

**Efficiency**  
效率

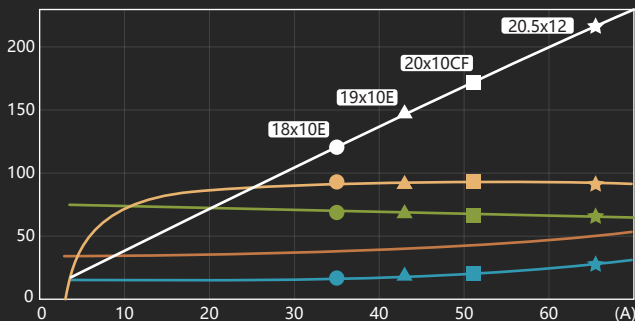
EL.POWER 电功率 [IN 10W]

EFFICIENCY 效率 [%]

MAX. REVOLUTIONS  
转速 [IN 100RPM]

WASTE POWER  
损耗功率 [IN 10W]

MOTOR CASE TEMP.  
马达壳体温度 [°C]



Voltage 电压 (V)	Propeller 螺旋桨 (RPM)	Throttle 油门 (%)	Current 电流 (A)	el. Power 输入功率 (W)	Efficiency 效率 (%)	Thrust 静拉力 (g)	Spec. Thrust 螺旋桨效率 (g/W)
<b>Falcon 18x10E</b>							
37V (10S LIPO)	3500	50	5.3	193	86	1730	8.9
	4000	58	7.7	283	87.5	2260	8.0
	5000	73	15	543	89.2	3531	6.5
	5500	81	20	719	89.6	4272	5.9
	6000	90	26	929	89.8	5084	5.5
	6576	100	34.7	1224	89.7	6107	5.0
	<b>APC 19x10E</b>						
37V (10S LIPO)	3600	52	7.4	271	88	2272	8.4
	4000	58	10	365	88.9	2805	7.7
	4800	71	17.3	626	89.9	4039	6.5
	5200	78	22.1	794	90.2	4741	6.0
	6000	91	34.3	1214	90.4	6312	5.2
	6464	100	43.6	1525	90.1	7325	4.8
<b>Falcon 20x10CF (油)</b>							
37V (10S LIPO)	3600	53	9.1	333	88.6	2846	8.5
	4000	59	12.5	454	88.9	3513	7.7
	4800	72	21.7	780	89.1	5059	6.5
	5200	79	27.7	988	88.9	5937	6.0
	6000	93	43.4	1519	88.7	7904	5.2
	6335	100	52	1798	88.1	8813	4.9
<b>APC 20.5x12 EW</b>							
37V (10S LIPO)	3580	53	11.5	420	89.2	3013	7.2
	3990	59	15.8	573	89.8	3720	6.5
	4760	72	27.4	983	90.5	5357	5.5
	5100	79	35	1241	90.6	6287	5.1
	5900	93	54.9	1920	90.6	8369	4.4
	6230	100	65.7	2265	90.2	9331	4.1

# 44.4V

# GA3500R(200KV)

Motor @ Optimum Efficiency 优化效率点

68.7  
A

Current  
电流

7488  
rpm

Revolutions  
转速

2804  
W

Electric Power  
电功率

2522  
W

Mech. Power  
机械功率

89.9  
%

Efficiency  
效率

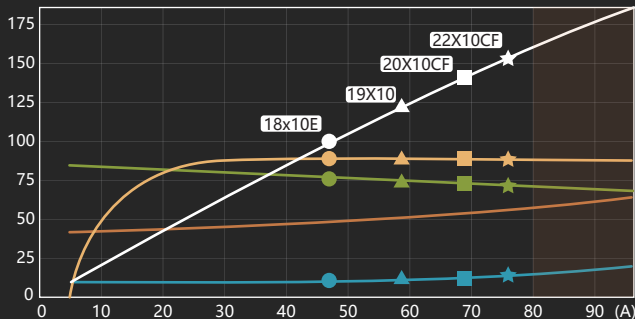
EL.POWER 电功率 [IN 20W]

EFFICIENCY 效率 [%]

MAX. REVOLUTIONS  
转速 [IN 100RPM]

WASTE POWER  
损耗功率 [IN 20W]

MOTOR CASE TEMP.  
马达壳体温度 [°C]



Voltage 电压 (V)	Propeller 螺旋桨 (RPM)	Throttle 油门 (%)	Current 电流 (A)	el. Power 输入功率 (W)	Efficiency 效率 (%)	Thrust 静拉力 (g)	Spec. Thrust 螺旋桨效率 (g/W)
44.4V (12S LIPO)	<b>Falcon 18x10E</b>						
	4000	48	6.5	284	87.5	2260	8.0
	5000	61	12.4	542	89.2	3531	6.5
	5500	68	16.6	719	89.6	4272	5.9
	6500	82	27.6	1182	90	5967	5.0
	7000	89	34.9	1474	90	6920	4.7
	7702	100	47.3	1966	89.7	8378	4.3
	<b>19x10</b>						
	4000	48	8.4	367	88.9	2717	7.4
	5000	62	16.2	705	90	4245	6.0
	5500	68	21.7	937	90.3	5136	5.5
	6500	83	36.5	1545	90.4	7174	4.6
	7000	91	46.2	1930	90.4	8320	4.3
	7539	100	59	2423	89.9	9652	4.0
	<b>20x10CF</b>						
	4000	49	10.3	449	89.8	3513	7.8
	5000	62	20.1	869	90.5	5489	6.3
	5500	70	27	1158	90.6	6642	5.7
	6000	77	35.5	1504	90.6	7904	5.3
	7000	93	58.2	2393	90.3	10759	4.5
	7356	100	69	2796	89.8	11882	4.3
	<b>Falcon 22x10CF</b>						
	3950	49	11.3	494	89.8	3961	8.0
	4920	62	22.1	958	90.5	6188	6.5
5400	70	29.8	1274	90.6	7489	5.9	
5900	77	39.1	1653	90.6	8911	5.4	
6860	93	64.2	2619	90.3	12130	4.6	
7210	100	76.1	3059	89.8	13396	4.4	