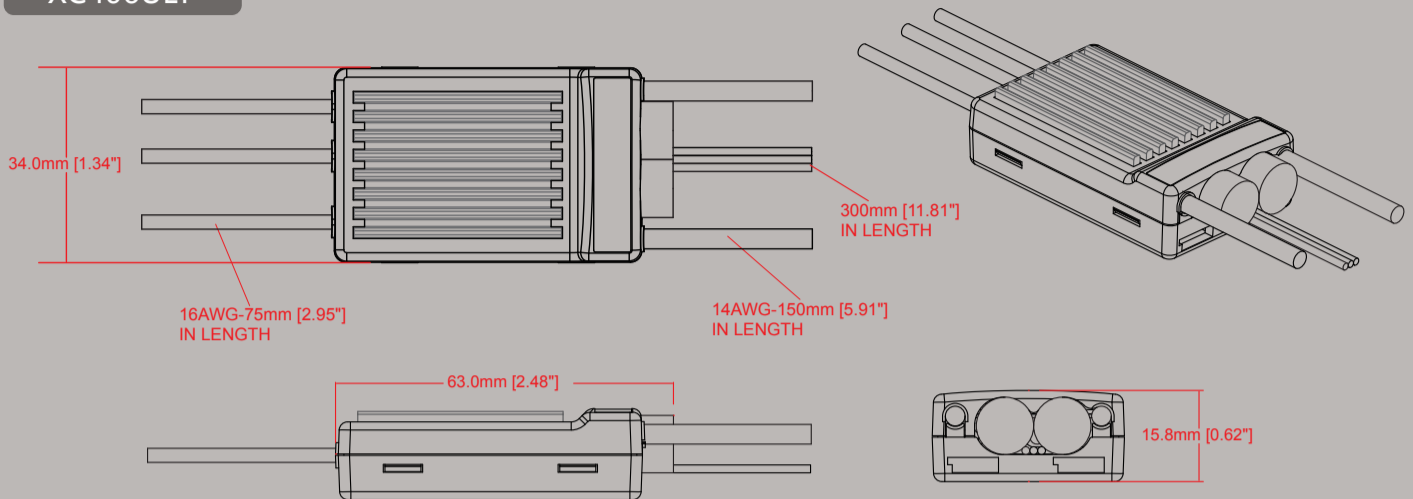


XC406ULT



Specification

Specifications of ULTRA series High end ESC for RC models	XC406ULT
Item NO. (商品编码)	41268
Dimensions (L x W x D)(尺寸)	63 x 34 x 15.8mm
Weight w/o wire (重量)	52g
Number of Cell (适用电池)	6...18 NiMH, 7.2...21.6V 2...6 LiPo, 7.4...22.2V
Continuous Current (持续电流)	40A
Burst Current (瞬时电流)	60A
Resistance (Ri) (电阻)	0.0028 Ohm
Signal Inputs (信号输入端口)	PWM & S.BUS
Signal frequency (油门信号频率)	Up to 433Hz
Battery eliminate circuit (BEC) (BEC输出)	5A switching mode, 5V-7.4V adjustable
Duo output (双输出)	NO
RX-Filter (输入信号滤波)	YES
Fail-safe switch (故障开关)	YES
Programming (编程)	Throttle or ProgCARD V3
High Response System(HRS) (快速响应)	YES
Governor Mode (DGM2) (定速模式)	YES
Brake System (刹车设定)	5 steps
Timing System (进角设定)	Adjustable
Soft start (启动模式)	3 steps
Acceleration (加速度模式)	5 steps
Low voltage cut-off (低压保护模式)	YES
Start-up guard (启动模式)	YES
Overheat protection (过热保护模式)	YES
Water & dusty proof (防水防尘)	NO
Heat sink (散热器件)	YES
Plastic housing (塑料外壳)	YES
LED indicator (LED灯)	YES
Input Wires (输入线)	14AWG, 150mm
Output Wires (输出线)	16AWG, 75mm
Signal Wire (信号线材&插头)	JR, 300mm
Applications (适用范围)	Up to 30E RC airplane, 450E class EP helicopter