

Radio control model
R/C Flugmodell

**INSTRUCTION MANUAL
MONTAGEANLEITUNG**

NE-1 NAVY CUB



TECHNISCHE DATEN

Spannweite	2400mm
Länge	1510mm
Elektroantrieb	(siehe nächste Seite)
Verbrennerantrieb	20cc 2-T
Fernsteuerung	6 Kanal / 6 Servos

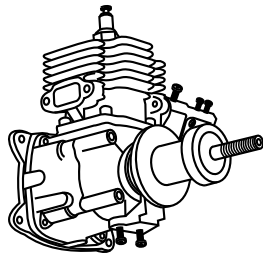
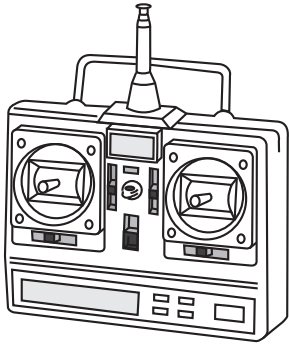
SPECIFICATIONS

Wingspan	2400mm
Length	1510mm
Electric Motor	(See next page)
Glow Engine	.91 2T / 1.20 4T
Gasoline Engine	20cc 2T
Radio	6 Channel / 6 Servos

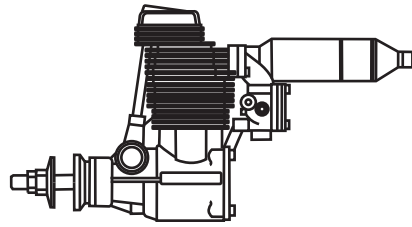
WARNING! This radio controlled model is NOT a toy. If modified or flown carelessly it could go out of control and cause serious human injury or property damage. Before flying your airplane, ensure the air field is spacious enough. Always fly it outdoors in safe areas and seek professional advice if you are unexperienced.

ACHTUNG! Dieses ferngesteuerte Modell ist KEIN Spielzeug! Es ist für fortgeschrittene Modellflugpiloten bestimmt, die ausreichende Erfahrung im Umgang mit derartigen Modellen besitzen. Bei unsachgemäßer Verwendung kann hoher Personen- und/oder Sachschaden entstehen. Fragen Sie in einem Modellbauverein in Ihrer Nähe um professionelle Unterstützung, wenn Sie Hilfe im Bau und Betrieb benötigen. Der Zusammenbau dieses Modells ist durch die vielen Abbildungen selbsterklärend und ist für fortgeschrittene, erfahrene Modellbauer bestimmt.

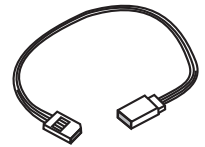
REQUIRED FOR OPERATION (Purchase separately) BENÖTIGTE KOMPONENTEN FÜR DEN ABFLUG (Nicht enthalten)



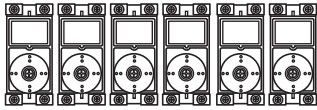
Gas Engine: 20cc



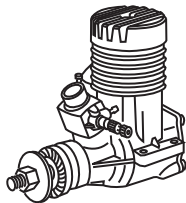
Glow Engine: 1.20 4T



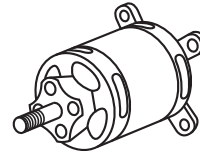
Extension for aileron servo, throttle servo.



Minimum 6 channel radio for airplane with 6 servos
 .Motor control x1 .Aileron x2
 .Elevator x2 .Rudder x1



Glow Engine: .91 2T



1650W Brushless Motor



Fuel tube

GLUE (Purchase separately)



Silicon sealer

Cyanoacrylate Glue
Klebstoff




Epoxy Glue (5 minute type)
Epoxy-Klebstoff (5min-Typ)



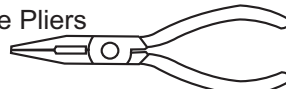
Epoxy Glue (30 minute type)
Epoxy-Klebstoff (30min-Typ)

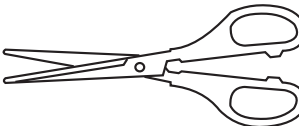
TOLLS REQUIRED (Purchase separately)

Hobby knife 


Phillip screw driver 

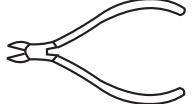
Hex Wrench 

Needle nose Pliers 

Scissors 

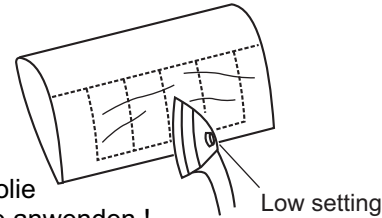
Awl 

Sander 


Wire Cutters 


Masking tape - Straight Edged Ruler - Pen or pencil - Drill and Assorted Drill Bits


If exposed to direct sunlight and/or heat, wrinkles can appear. Storing the model in a cool place will let the wrinkles disappear. Otherwise, remove wrinkles in covering film with a hair dryer, starting with low temperature. You can fix the corners by using a hot iron.





Bei Sonneneinstrahlung und/oder Wärme kann die Folie erschlaffen bzw. Falten entstehen. Verwenden Sie ein Warmluftgebläse (Haartrockner) um evtl. Falten aus der Folie zu bekommen. Die Kanten können Sie mit einem Bügeleisen behandeln. Nicht zuviel Hitze anwenden !


 Drill holes using the stated size of drill (in this case 1.5 mm Ø)


 Take particular care here


 Hatched-in areas: remove covering film carefully

 Check during assembly that these parts move freely, without binding

 Use epoxy glue

 Apply cyano glue


 Assemble left and right sides the same way.

 Not included. These parts must be purchased separately

 Löcher bohren mit dem angegebenen Bohrer (hier 1,5 mm)

 Hier besonders aufpassen

 Schraffierte Stellen, Bespannfolie vorsichtig entfernen

 Während des Zusammenbaus immer prüfen, ob sich die Teile auch reibungslos bewegen lassen

 Epoxy-Klebstoff verwenden

 Sekundenkleber auftragen

 Linke und rechte Seite wird gleichermaßen zusammengebaut

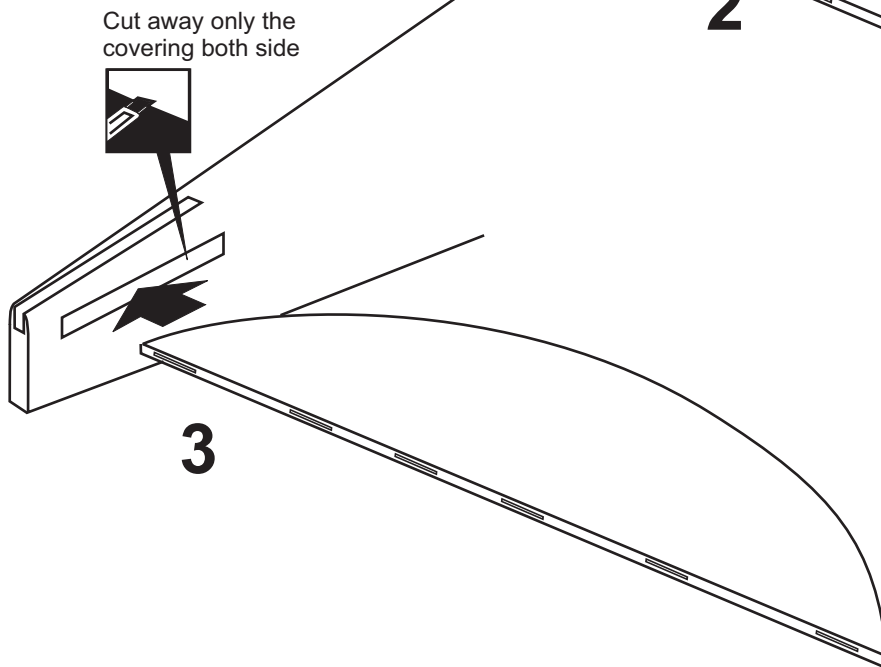
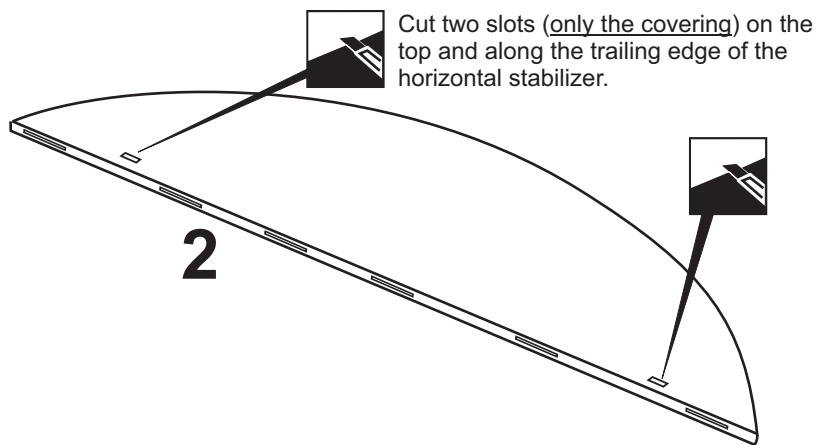
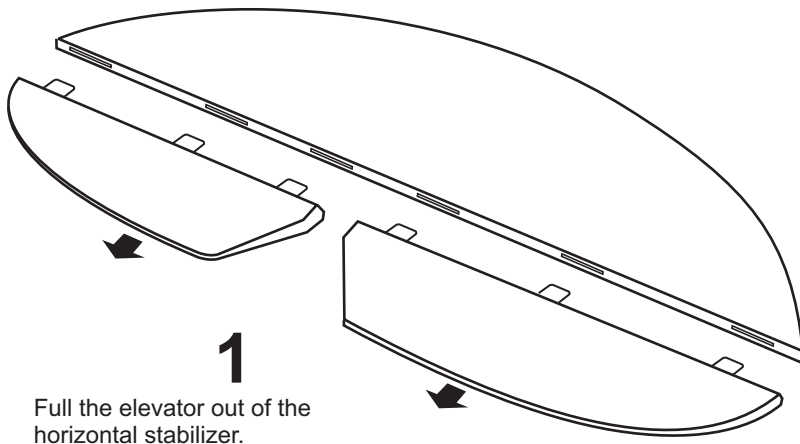
 Nicht enthalten. Teile müssen separat gekauft werden.

Read through the manual before you begin, so you will have an overall idea of what to do.

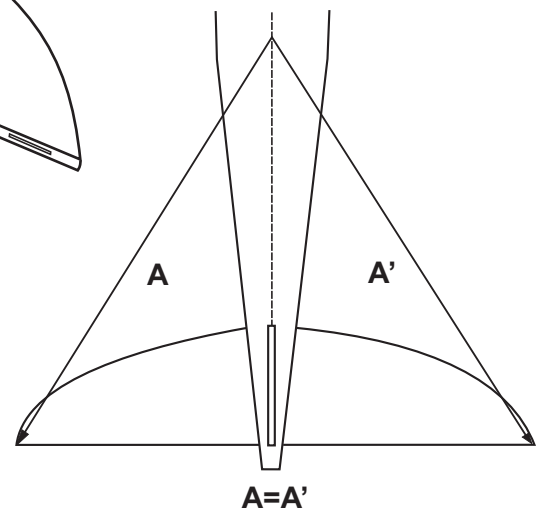
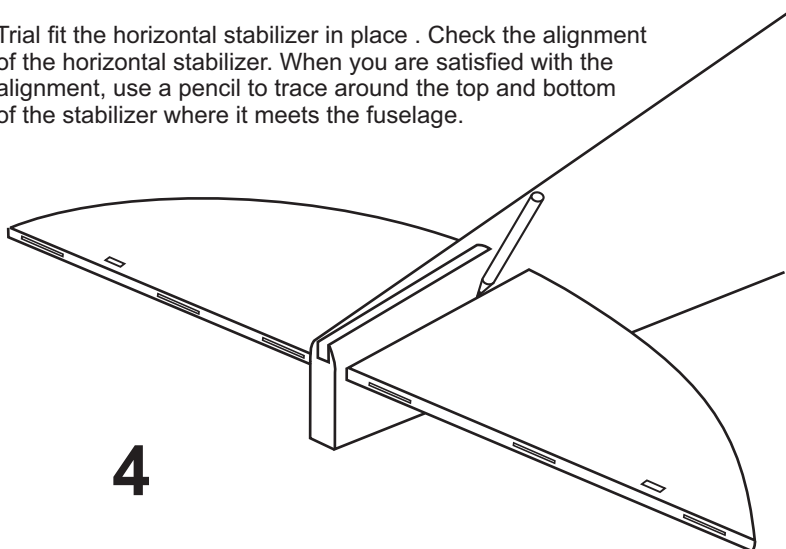
CONVERSION TABLE

1.0mm = 3/64"	3.0mm = 1/8"	10mm = 13/32"	25mm = 1"
1.5mm = 1/16"	4.0mm = 5/32"	12mm = 15/32"	30mm = 1-3/16"
2.0mm = 5/64"	5.0mm = 13/64"	15mm = 19/32"	45mm = 1-51/64"
2.5mm = 3/32"	6.0mm = 15/64"	20mm = 51/64"	

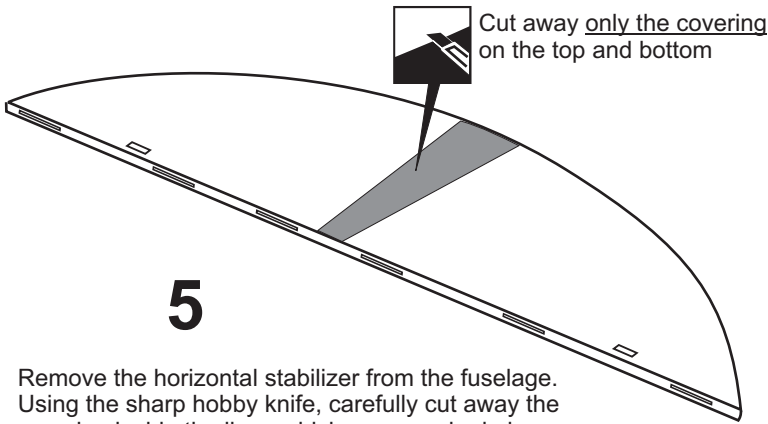
NAVY CUB section 1 HORIZONTAL STABILIZER



Trial fit the horizontal stabilizer in place . Check the alignment of the horizontal stabilizer. When you are satisfied with the alignment, use a pencil to trace around the top and bottom of the stabilizer where it meets the fuselage.

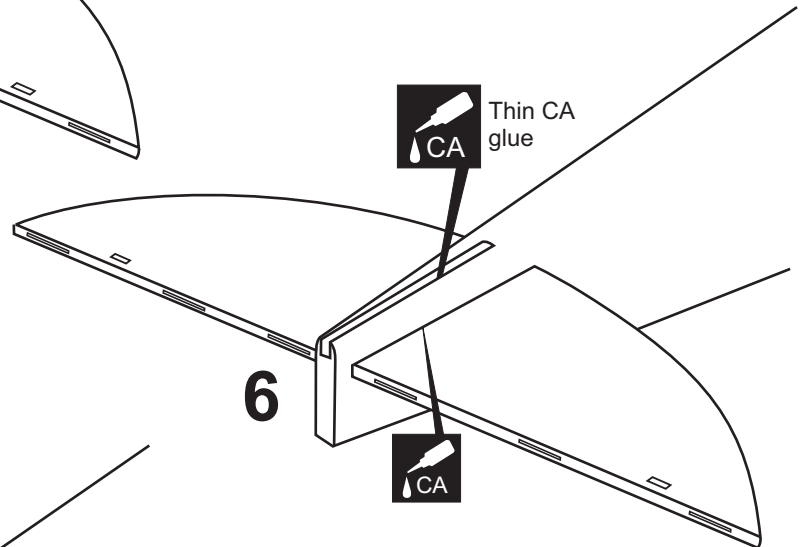
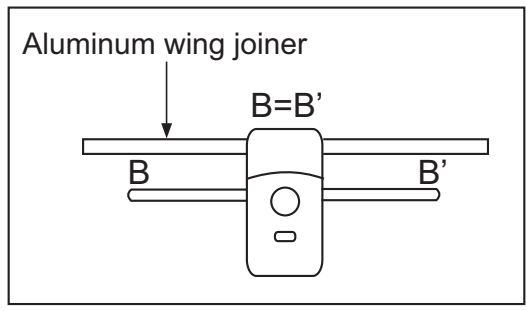


NAVY CUB section 2 HORIZONTAL STABILIZER



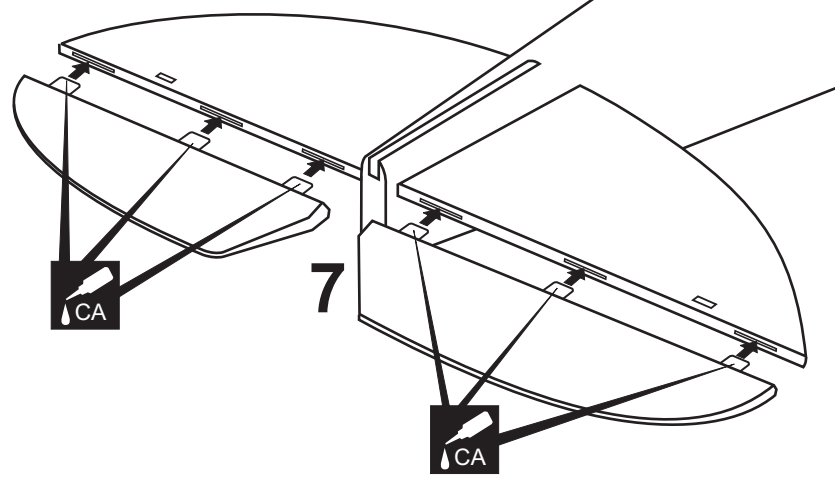
5

Remove the horizontal stabilizer from the fuselage. Using the sharp hobby knife, carefully cut away the covering inside the lines which were marked above.



6

Pull the horizontal stabilizer through the other side of the fuselage and repeat the previous procedures to glue the second torque rod wire into the horizontal stabilizer. Realign the horizontal stabilizer, then glue the horizontal stabilizer into the fuselage, using a generous amount of thin CA. Apply thin CA to each of the four joints and use a generous amount to ensure to strong bond.

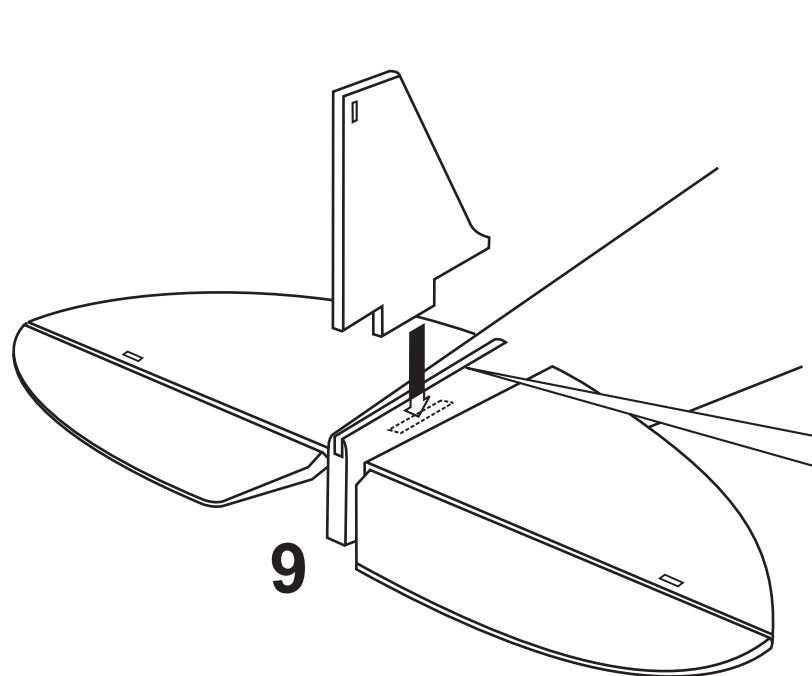


7

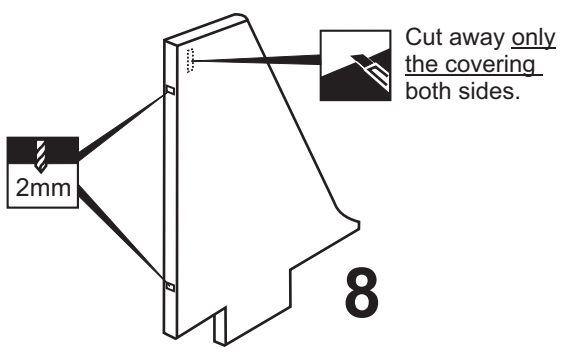
The elevator hinges are pre-glue into the elevator halves. Working with one elevator half for now, apply a thin layer of petroleum jelly to only the pivot point of the two hinges.

Without using glue yet, push the elevator half and its hinges into the hinge slots in the trailing edge of the horizontal stabilizer. There should be a minimal hinge gap and the end of the elevator half should not rub against the horizontal stabilizer.

When satisfied with the fit and alignment, hinge the elevator half to the horizontal stabilizer, using thick CA glue. Make sure to apply a thin layer of CA glue to the top and bottom of both hinges. Repeat the previous procedures to hinge the second elevator half to the other side of the horizontal stabilizer.



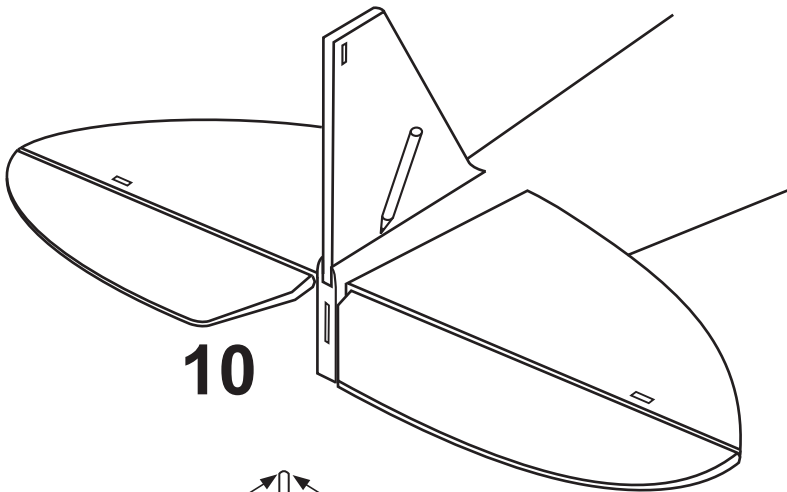
9



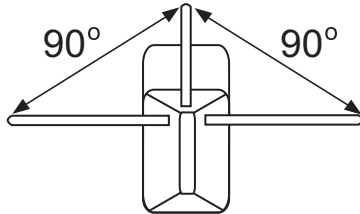
8

NOTE: You may need to open up the slots of the horizontal stabilizer so that the vertical stabilizer is not too difficult to push in.

NAVY CUB section 3 VERTICAL STABILIZER

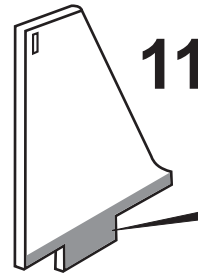


10



FUSELAGE - REAR VIEW

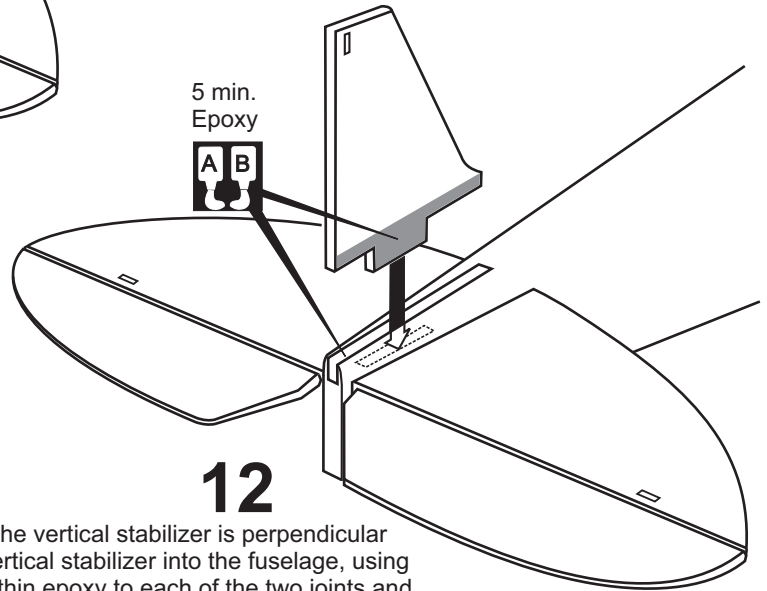
Trial fit the vertical stabilizer in place. Check the alignment of the vertical stabilizer. When you are satisfied with the alignment, use a pencil to trace around the right and left of the stabilizer where it meets the fuselage.



11

Cut away only the covering on the left and right side.

Remove the vertical stabilizer from the fuselage. Using the sharp hobby knife, carefully cut away the covering inside the lines which were marked above.



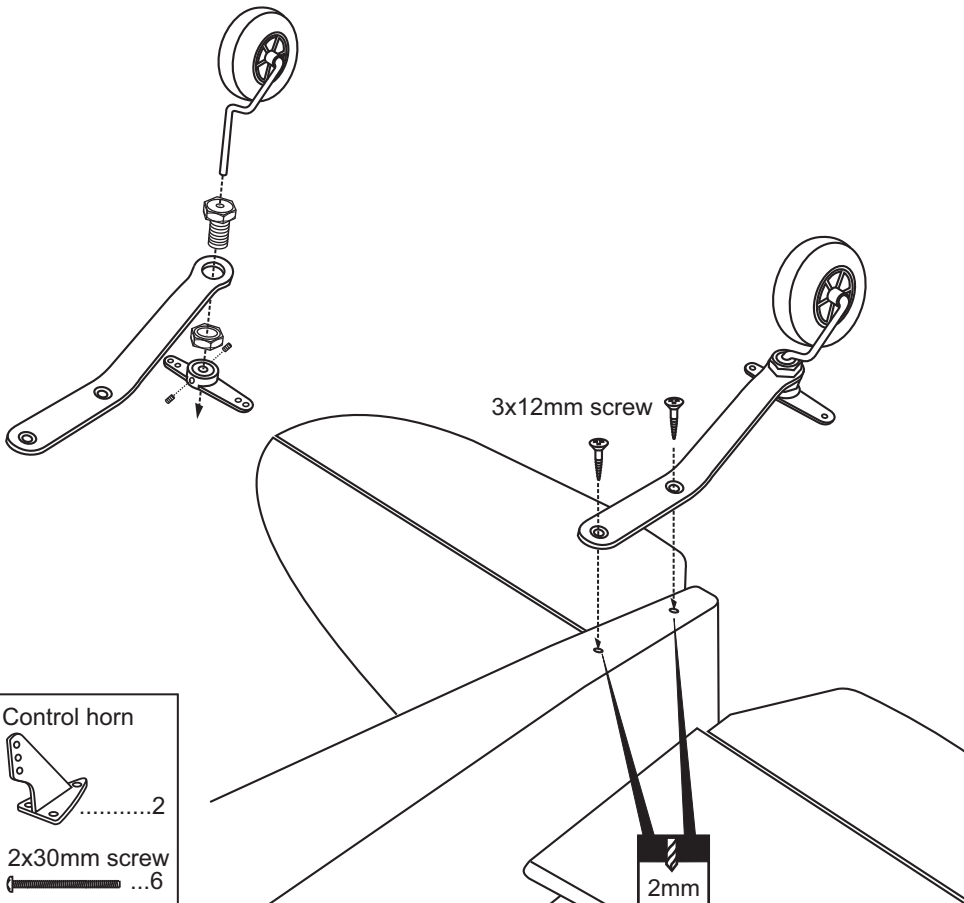
5 min. Epoxy



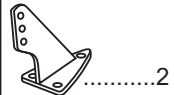
12

Realign the vertical stabilizer, ensure that the vertical stabilizer is perpendicular to the horizontal stabilizer. Then glue the vertical stabilizer into the fuselage, using a generous amount of 5 min. Epoxy. Apply thin epoxy to each of the two joints and the entire bottom edge of the vertical stabilizer, use a generous amount to ensure to strong bond.

NAVY CUB section 4 TAIL WHEEL & RUDDER



Control horn



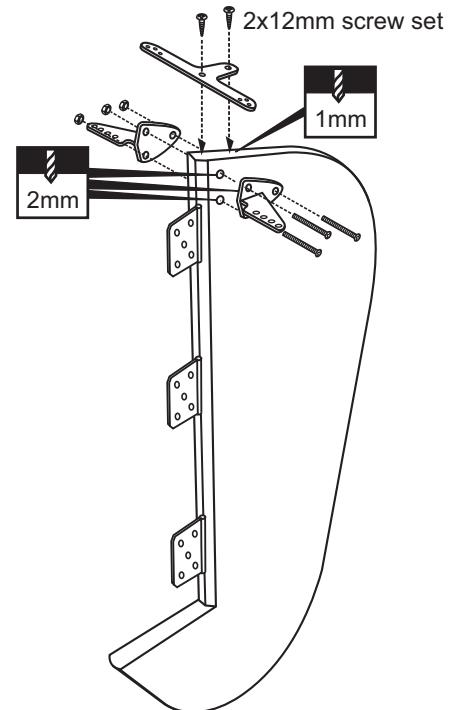
.....2

2x30mm screw

...6

3x12mm screw

2mm



2x12mm screw set

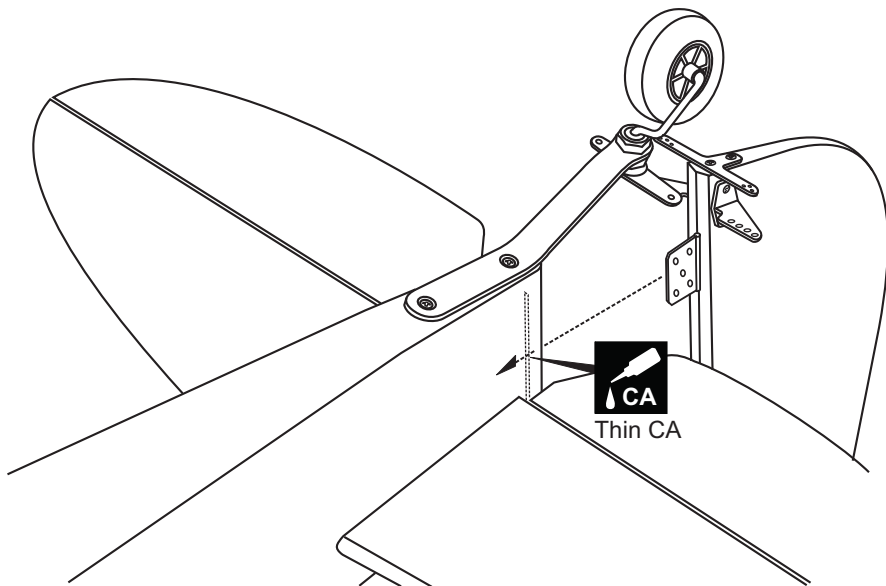


1mm

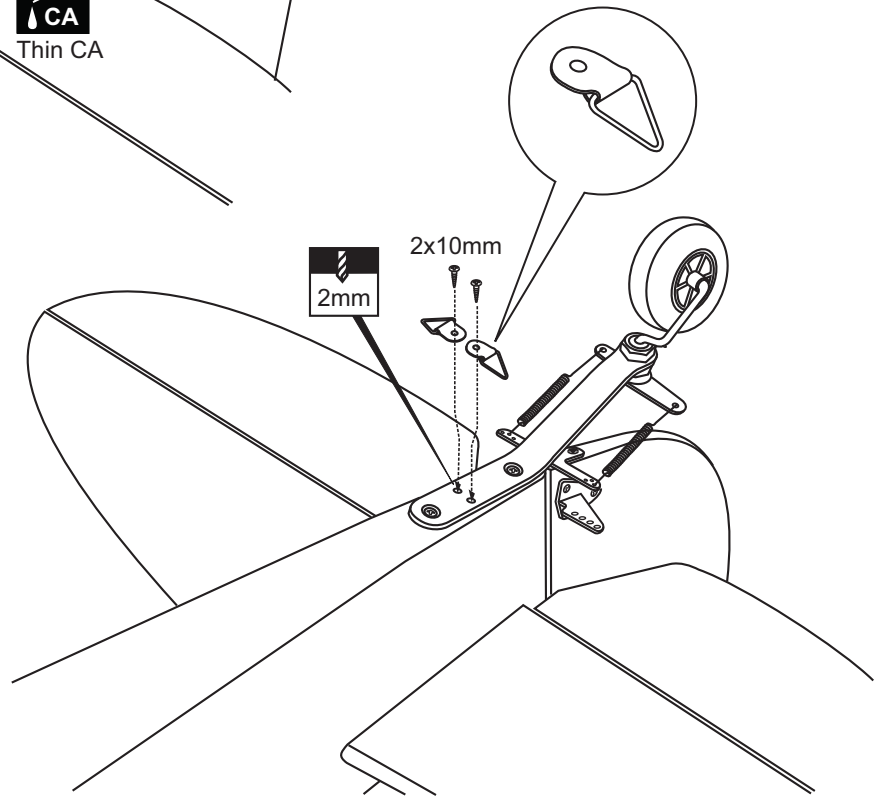




2mm

NAVY CUB section 5 TAIL WHEEL & RUDDER




BOTTOM - VIEW / Unteransicht

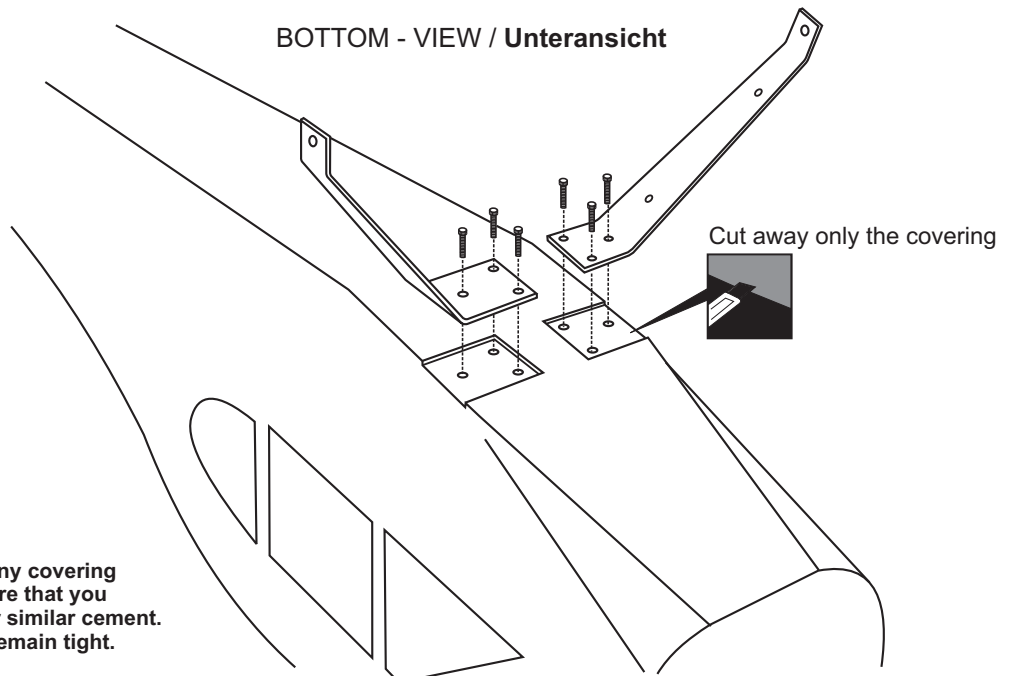


- 2
- 2x10mm screw
- 2

NAVY CUB section 6 MAIN LANDING GEAR

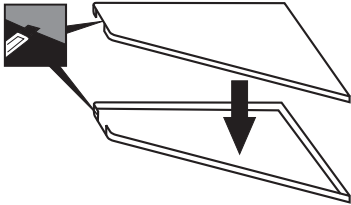
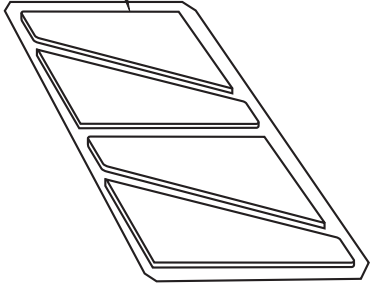
- 4X20mm screw
- 6

BOTTOM - VIEW / Unteransicht

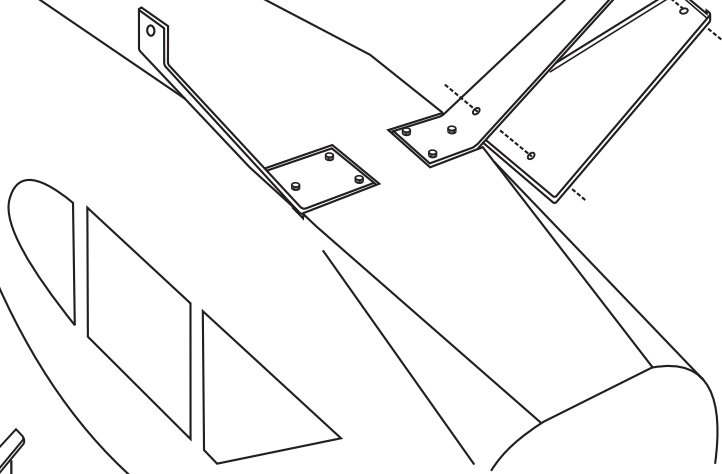
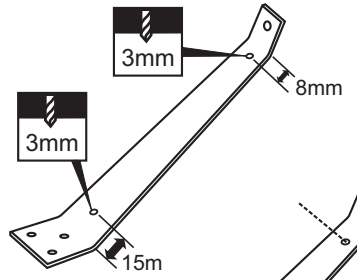
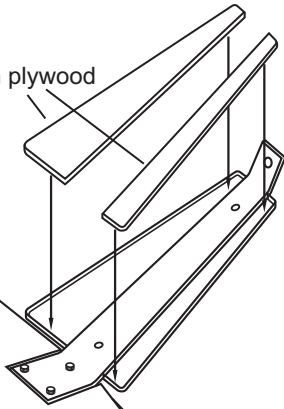


*** WARNING:** When removing any covering from the airframe, please ensure that you secure the cut edge with CA or similar cement. This will ensure the covering remain tight.

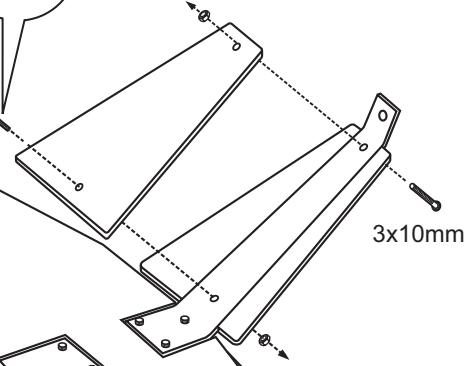
NAVY CUB section 7 MAIN LANDING GEAR







3mm plywood



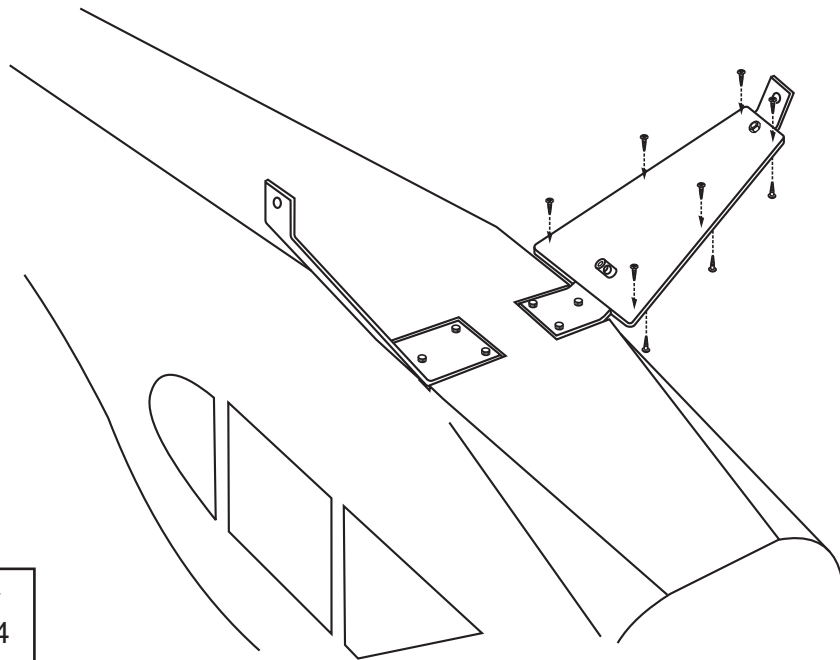
connector



3x10mm

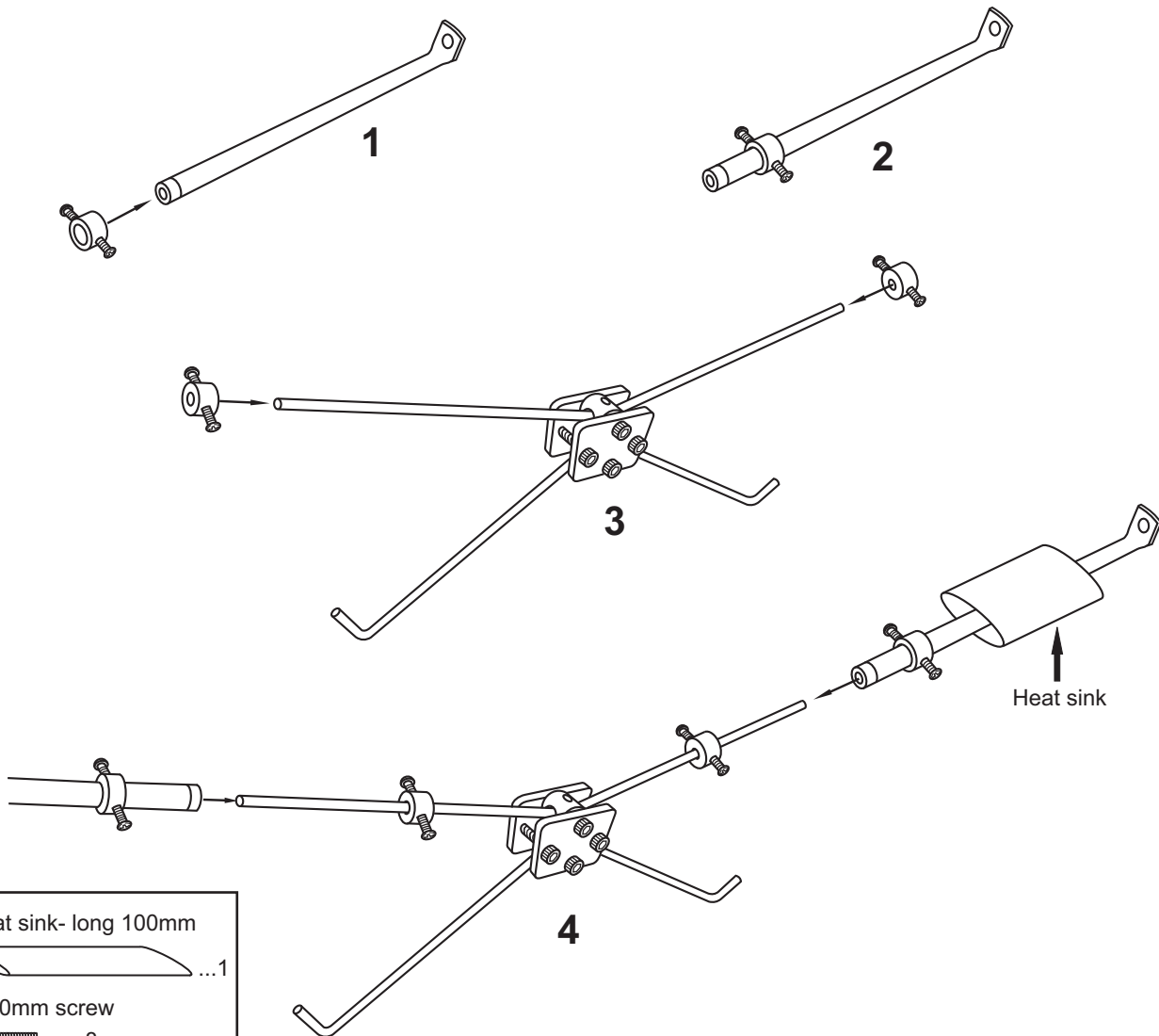
- 3x10mm screw
 2
- Connector
 2

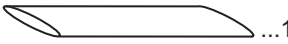

NAVY CUB section 8 MAIN LANDING GEAR



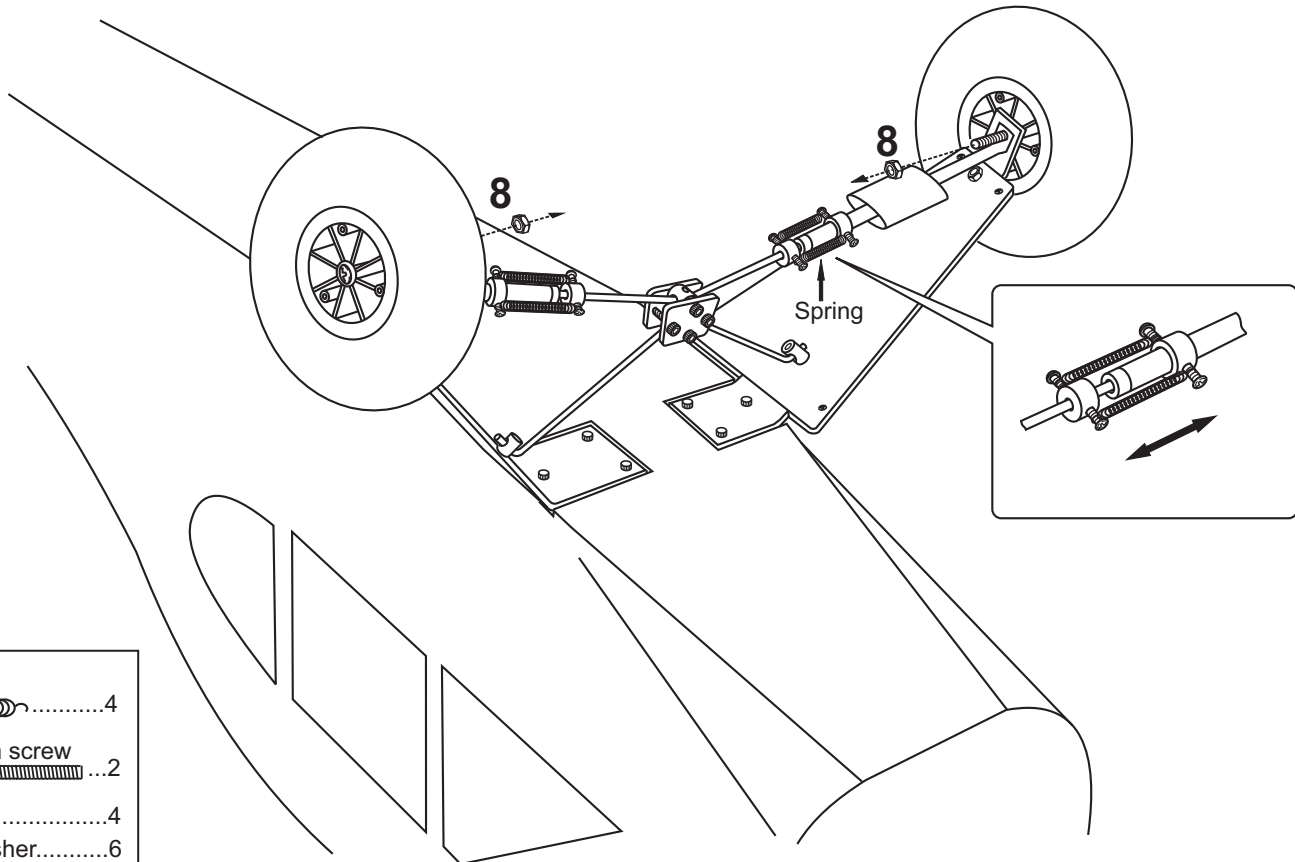
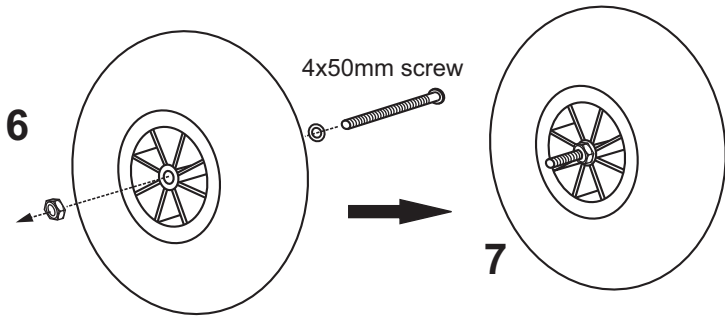
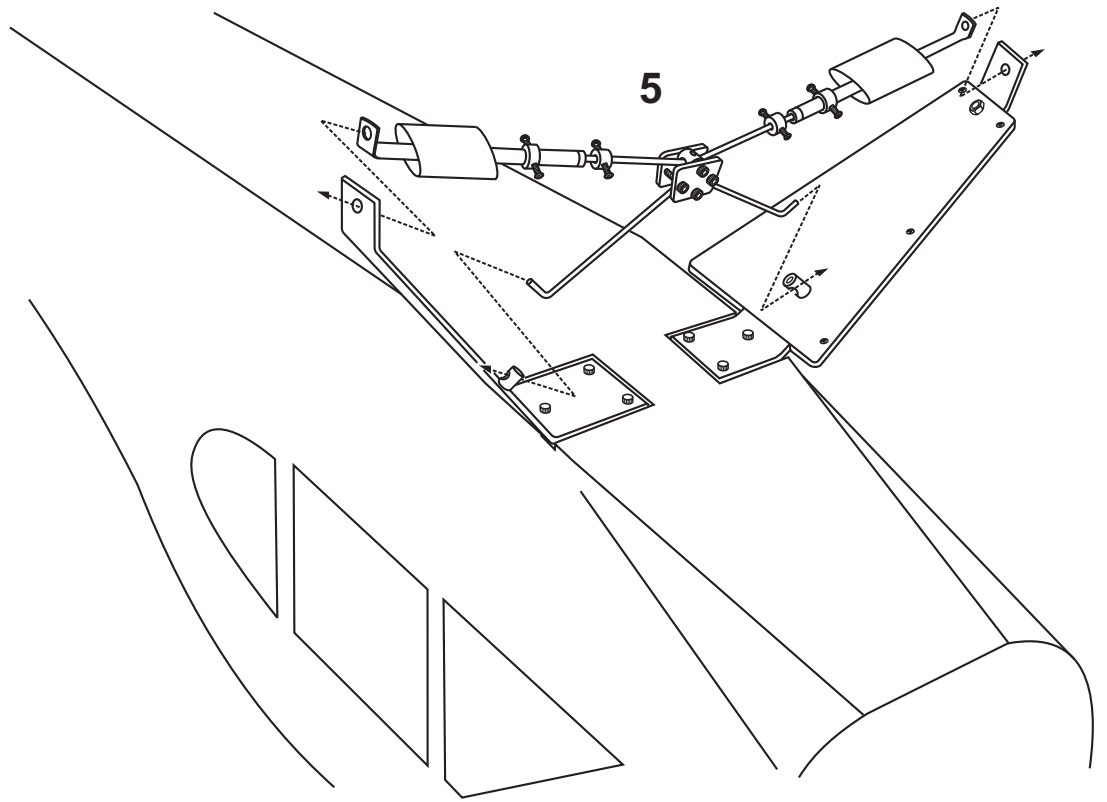
2x6mm screw
24

NAVY CUB section 9 MAIN LANDING GEAR



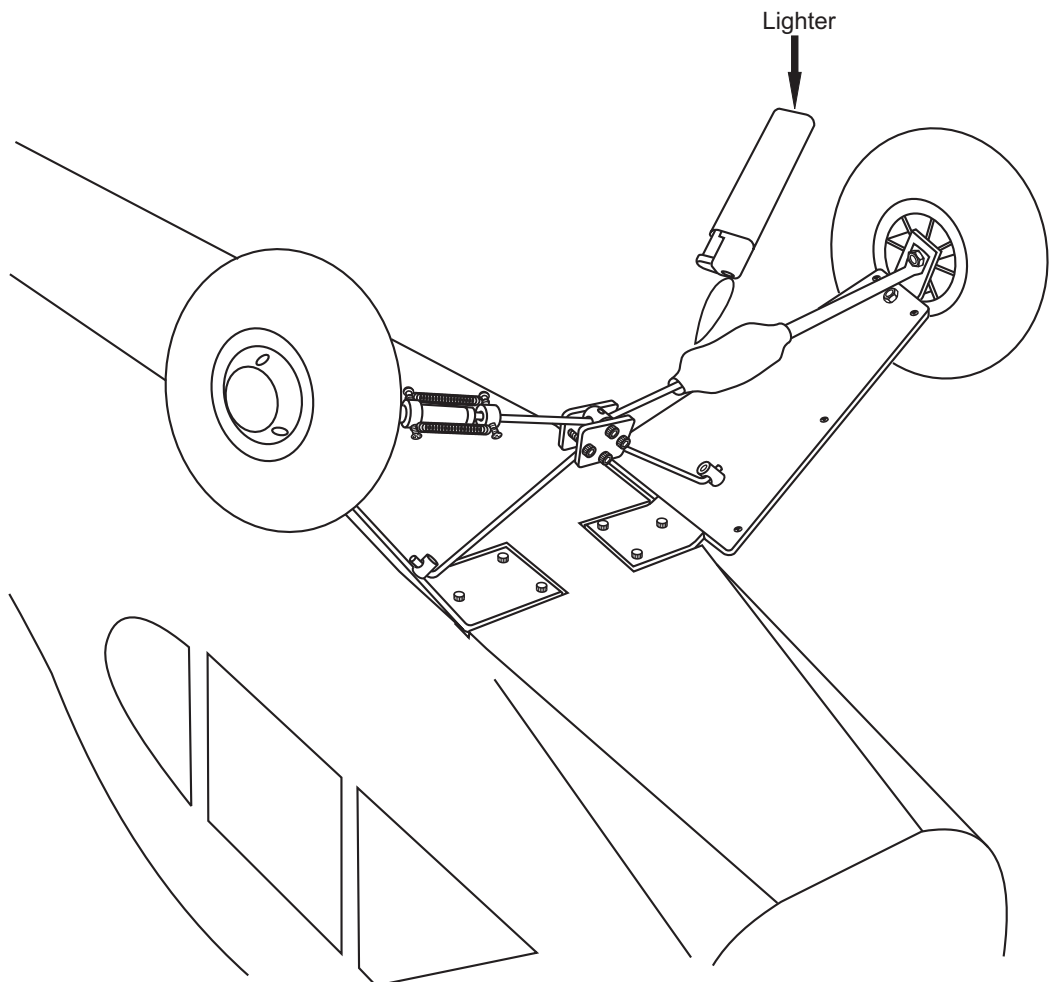
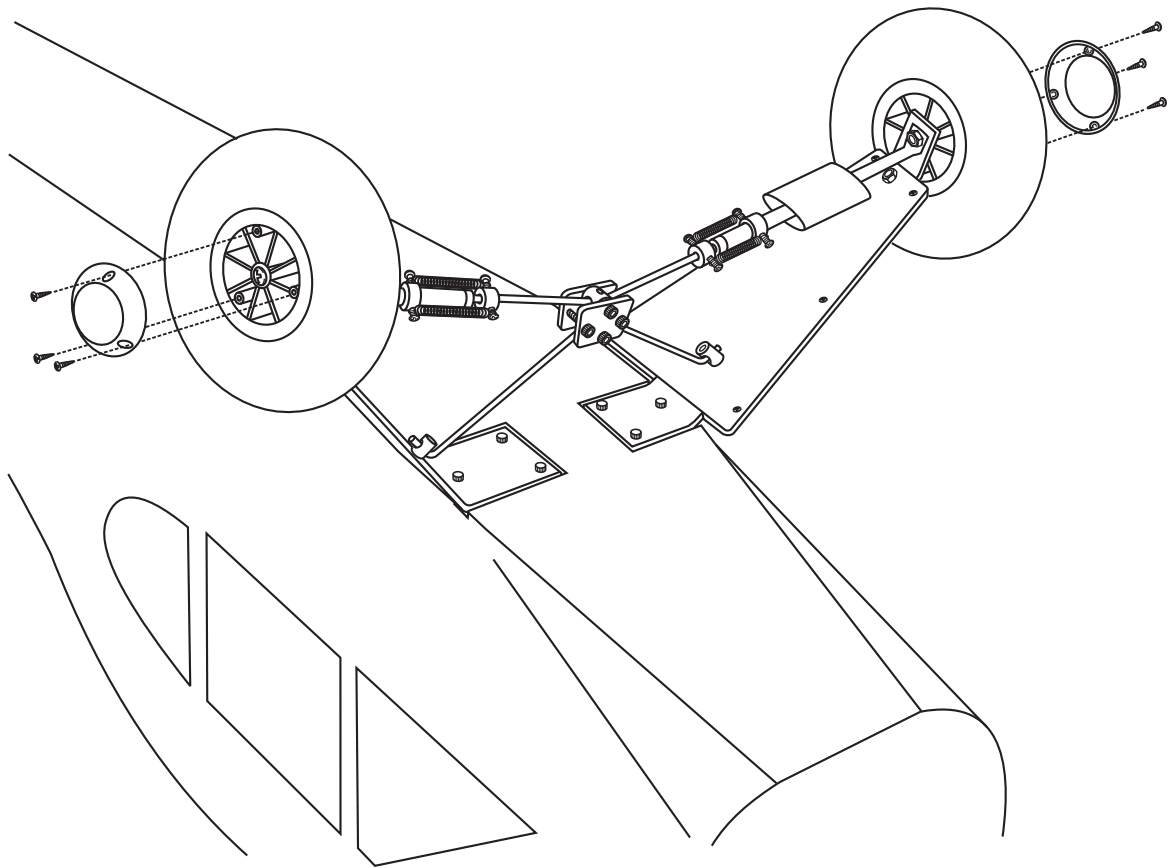
Heat sink- long 100mm
 ...1
 3x10mm screw
8

NAVY CUB section 10 MAIN LANDING GEAR



- | | |
|--------------|--------|
| Spring |4 |
| 4x50mm screw | ...2 |
| 4mm nut |4 |
| 4mm washer |6 |

NAVY CUB section 11 MAIN LANDING GEAR

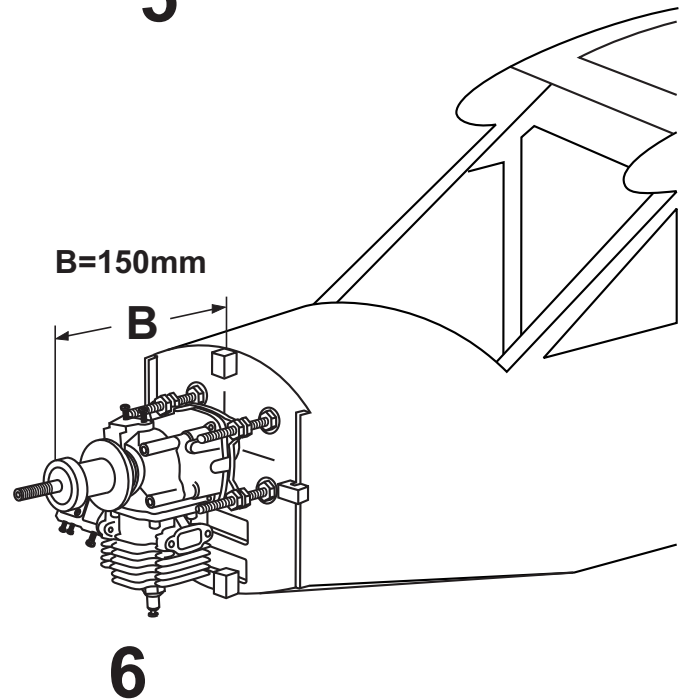
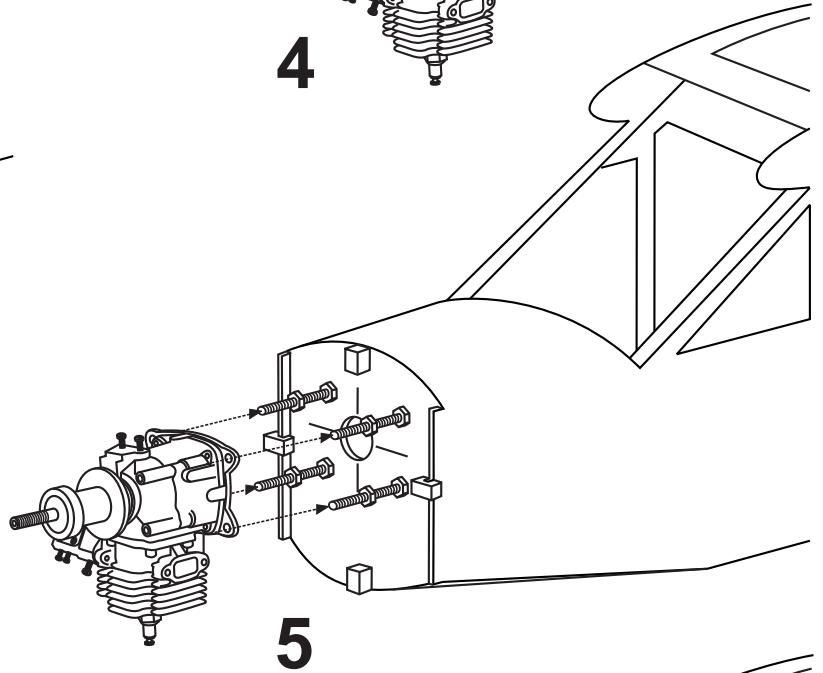
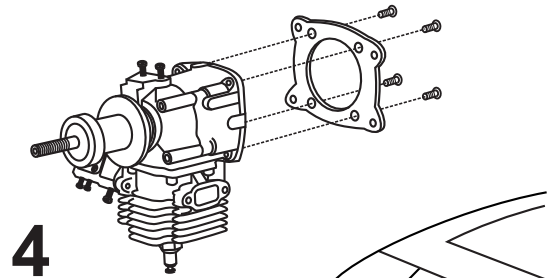
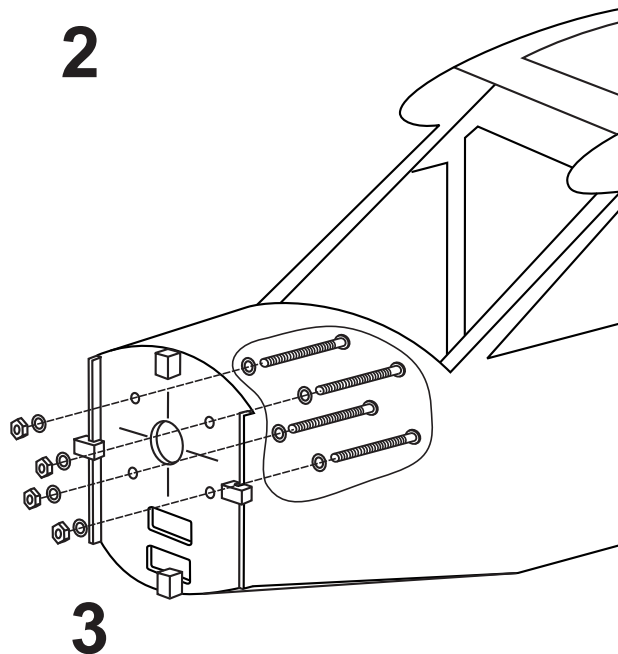
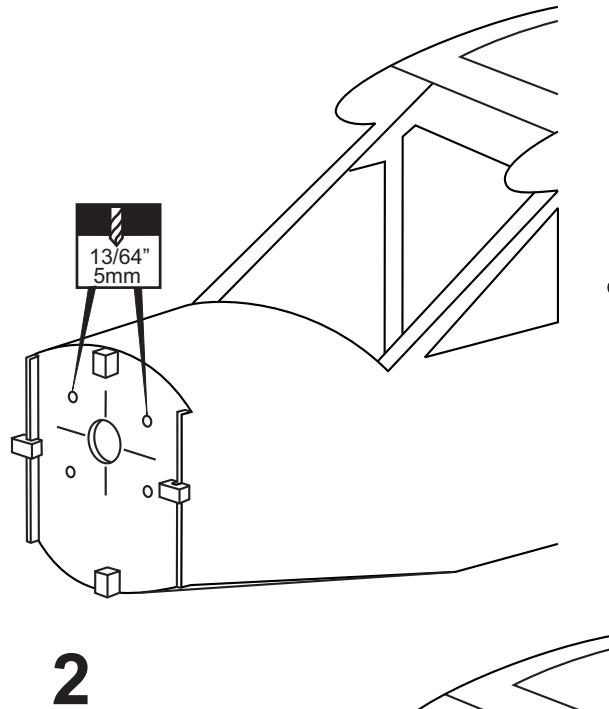
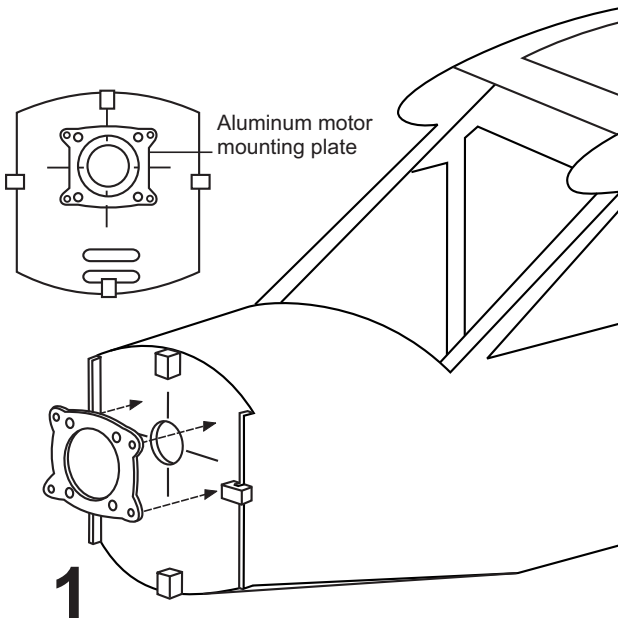


NAVY CUB section 12 ENGINE

Using a aluminum motor mounting plate as a template, mark the fire-wall where the four holes are to be drilled (1).

Remove the aluminum motor mounting plate and drill a 5mm hole through the plywood at each of the four marks marked (2).

Note: The aluminum motor mounting and screws included with the engine.



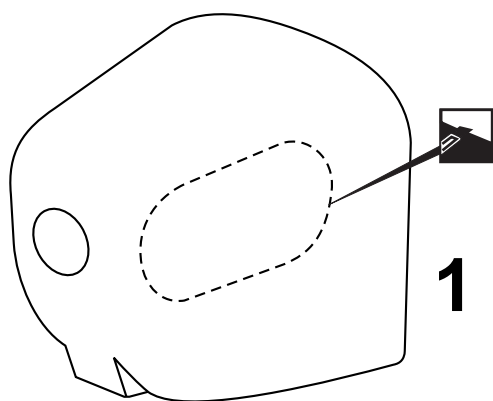
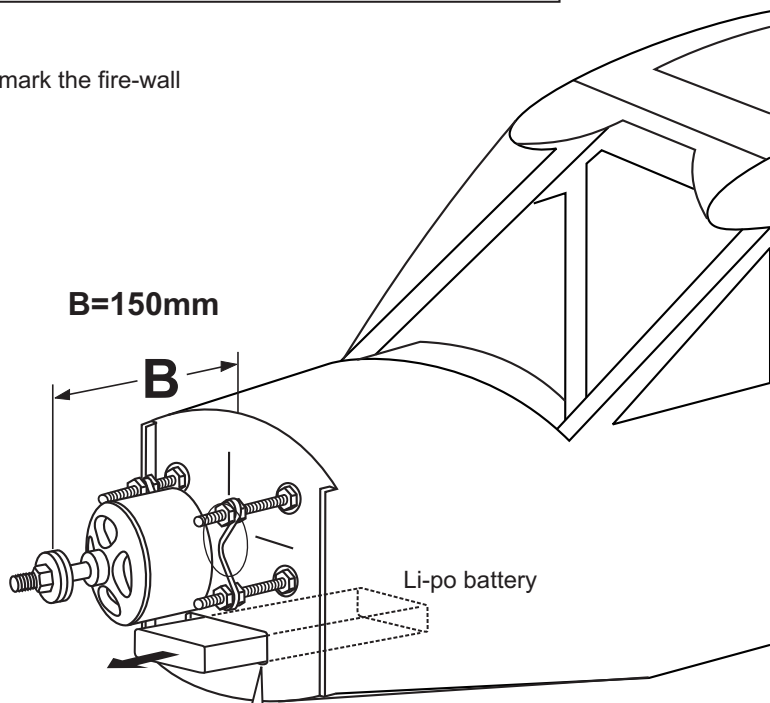
5X80mm screw4
5mm washer12
5mm nut12

NAVY CUB section 13 ELECTRIC MOTOR and COWLING

Using an aluminum motor mounting plate as a template, mark the fire-wall where the four holes are to be drilled (1).

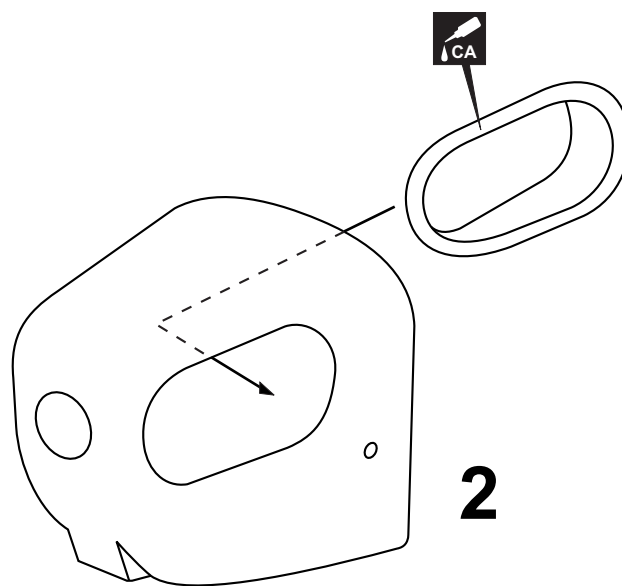
Remove the aluminum motor mounting plate and drill a 5mm hole through the plywood at each of the four marks marked (2).

Note: The aluminum motor mounting and screws included with the motor.

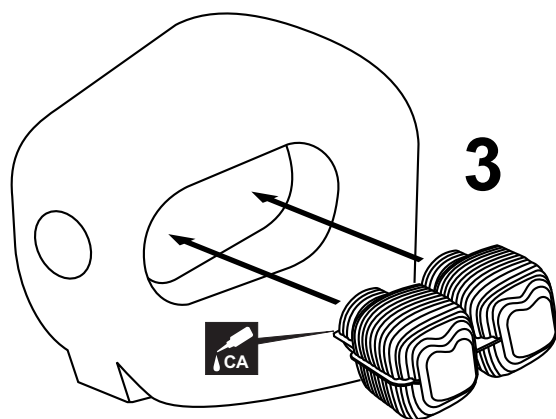


1

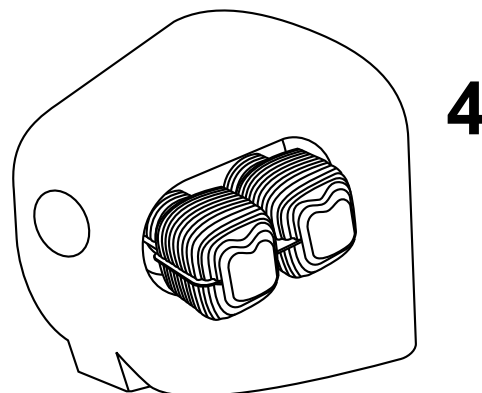
Cut a hole on the fire-wall to you can move the Li-po battery to the nose of the model, this helps the easy to balance your model.



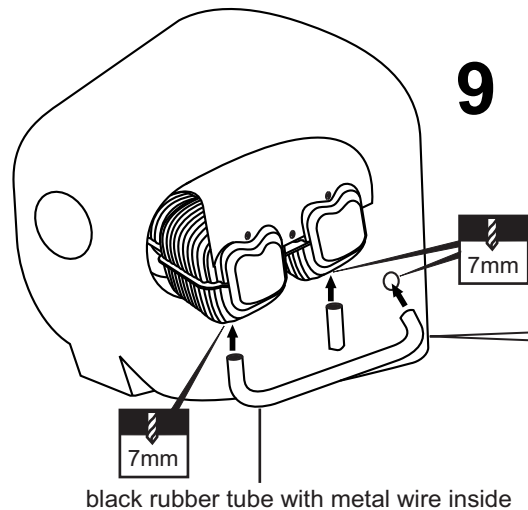
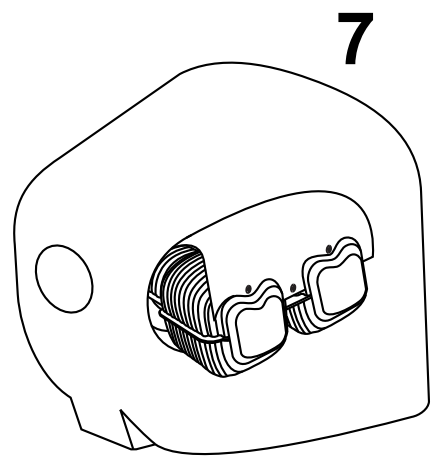
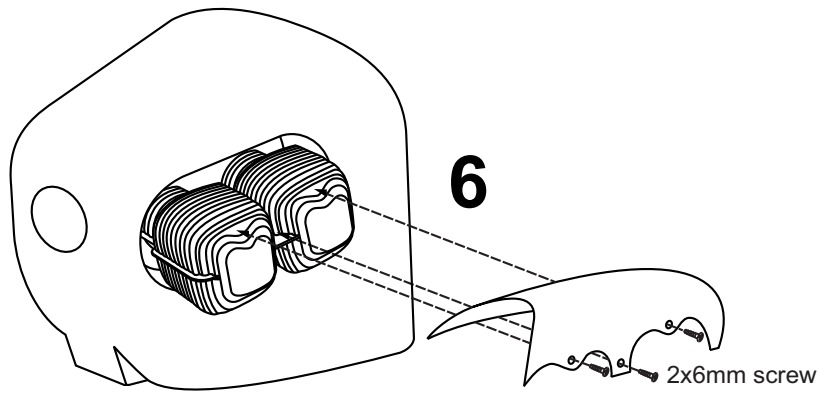
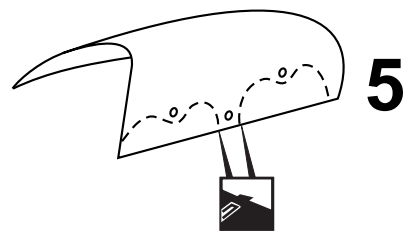
2



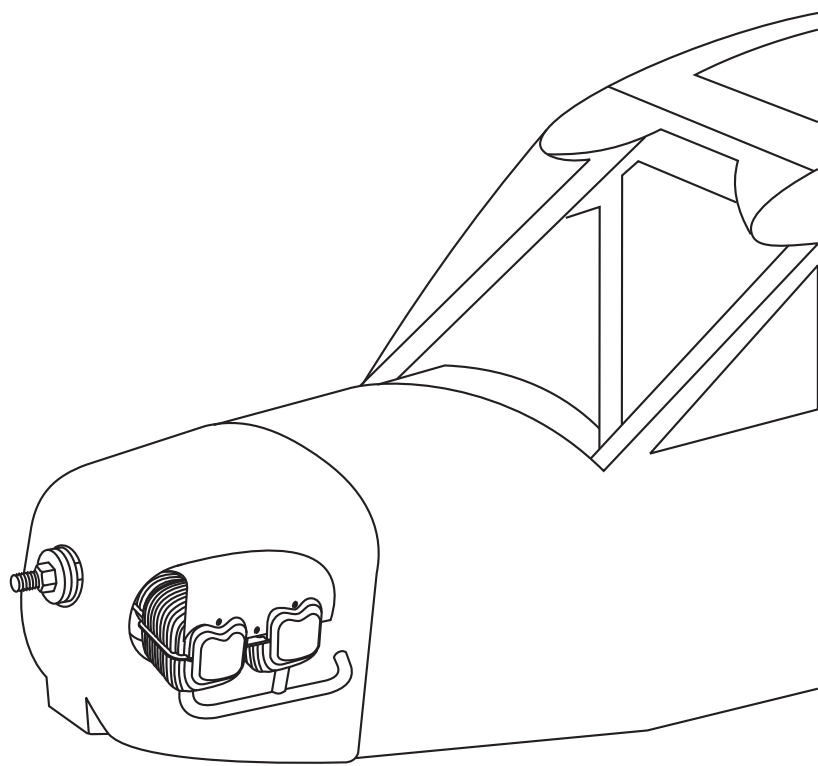
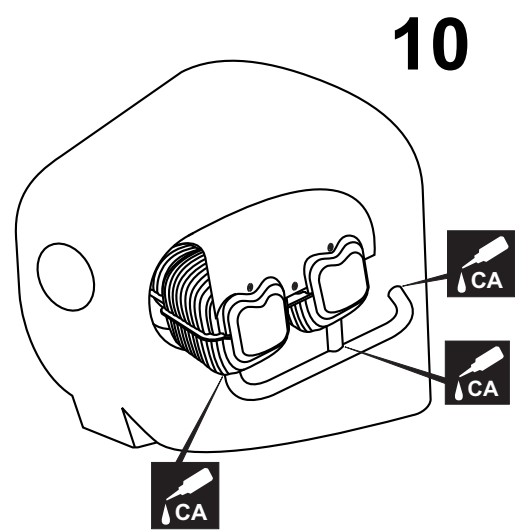
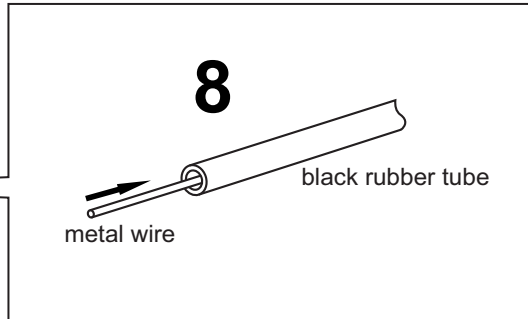
3



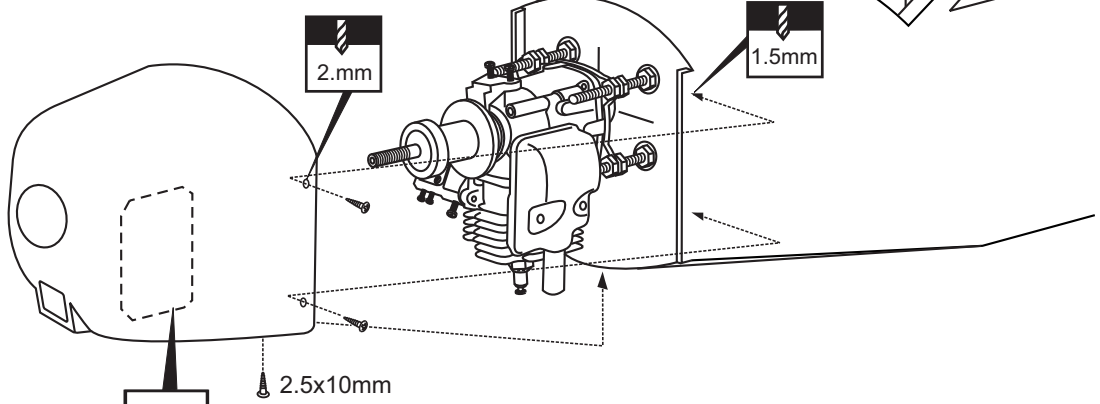
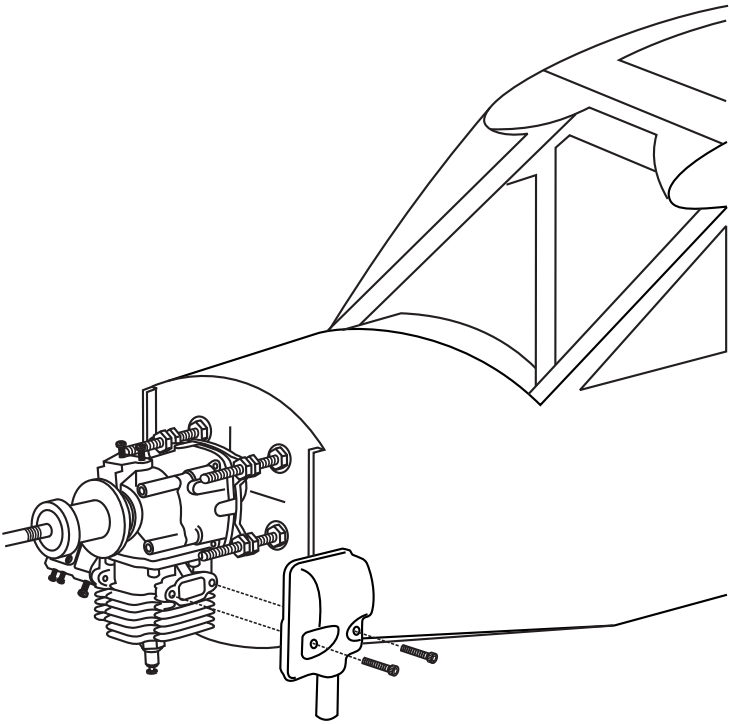
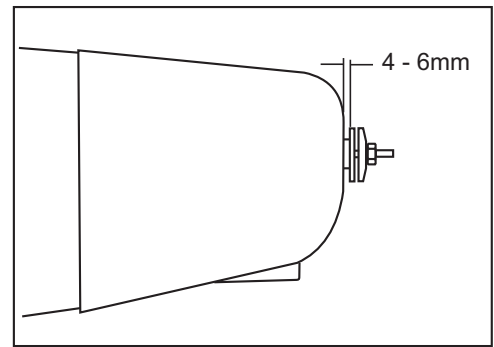
4




black rubber tube with metal wire inside



IN CASE OF ELECTRIC MOTOR USING



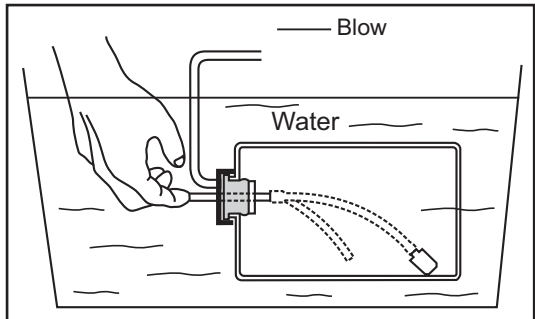
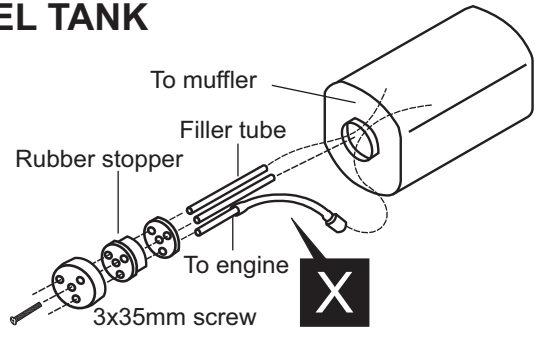
2.5x10mm
5



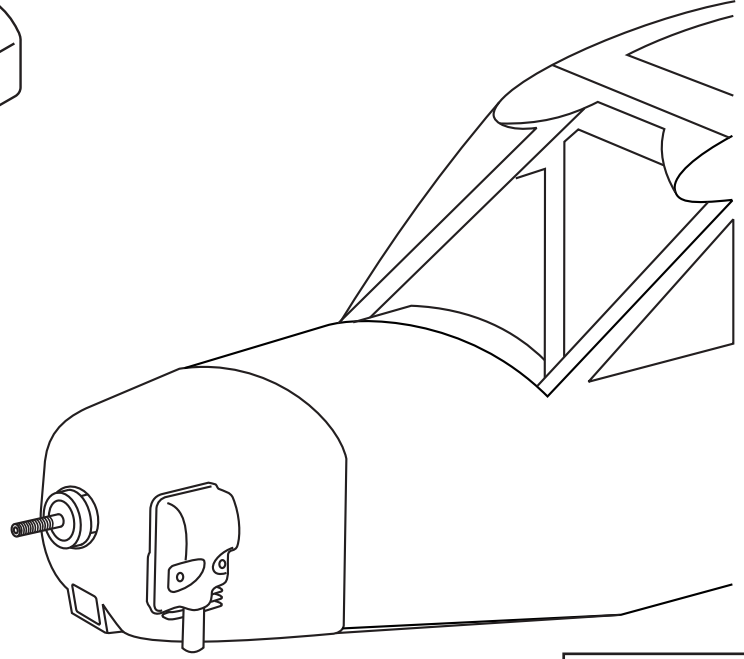
2.5x10mm
 Relieve the cowl to clear the silencer, carburetor and plug.


FUEL TANK

IN CASE OF GASOLINE ENGINE USING

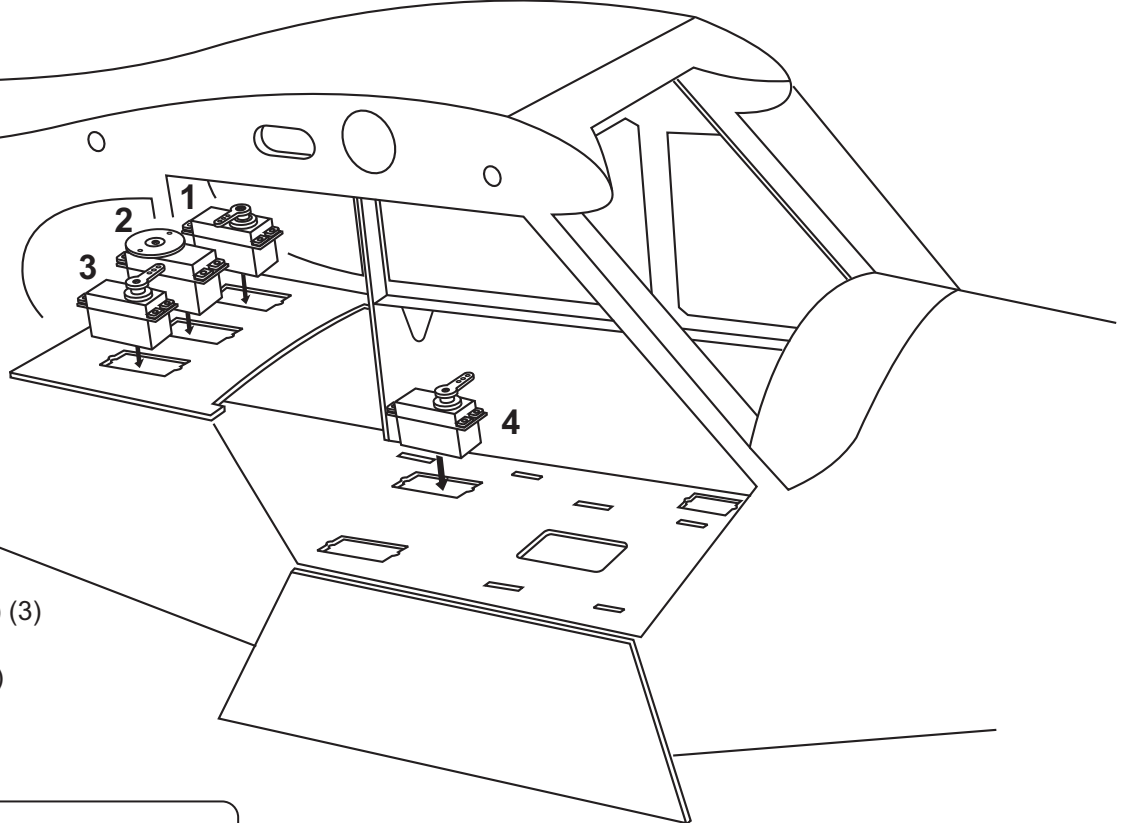


Checking for leaks - block the vents and blow into the feed - if in doubt submersing the tank in a blow of water will show up any problems (10B).

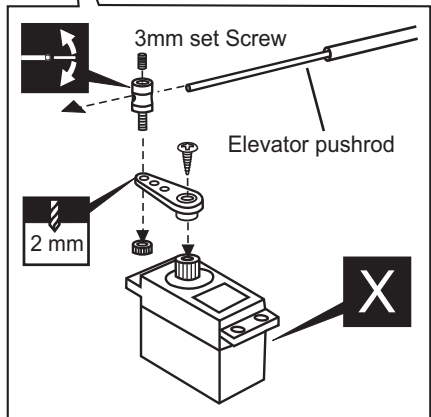
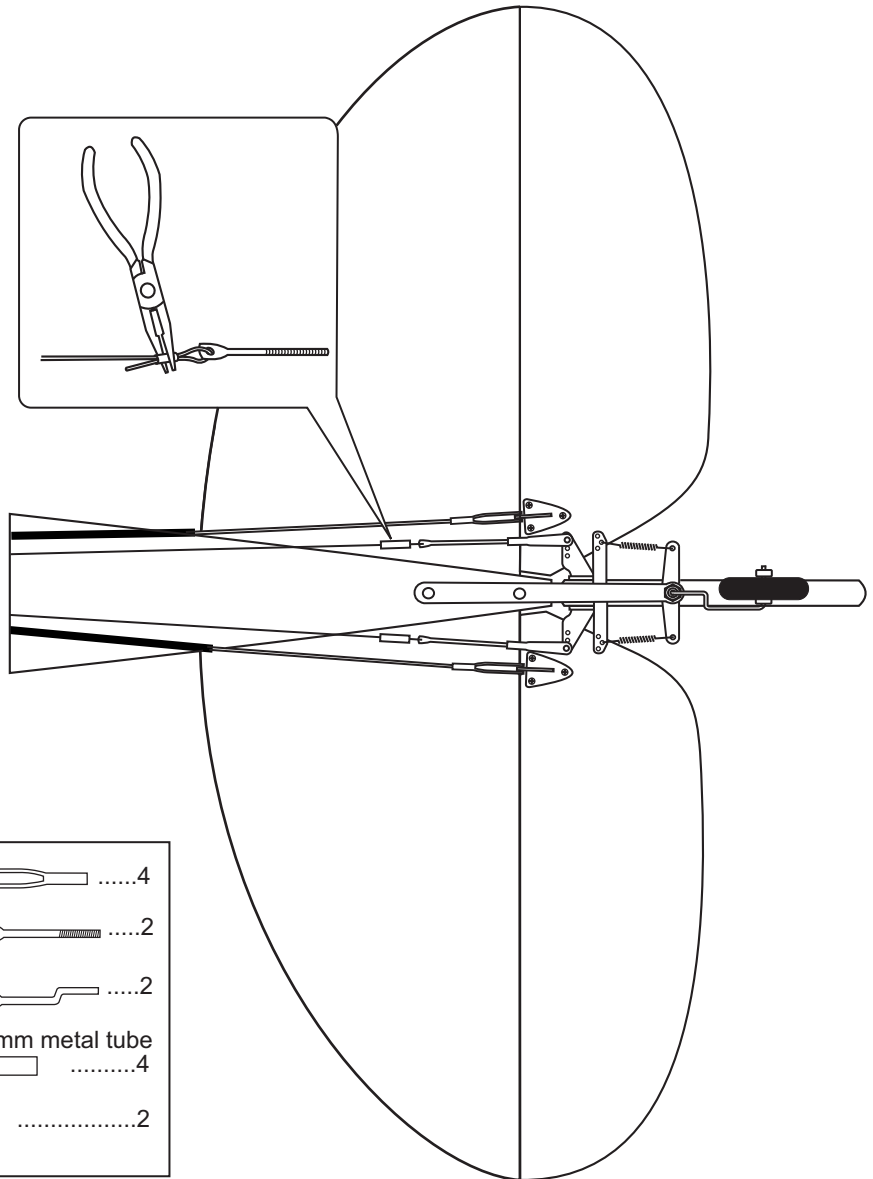
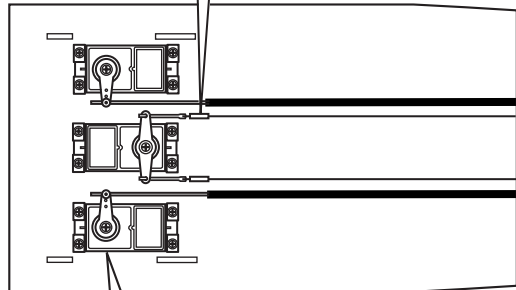
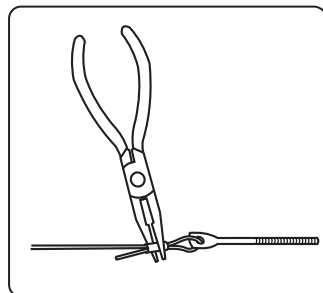
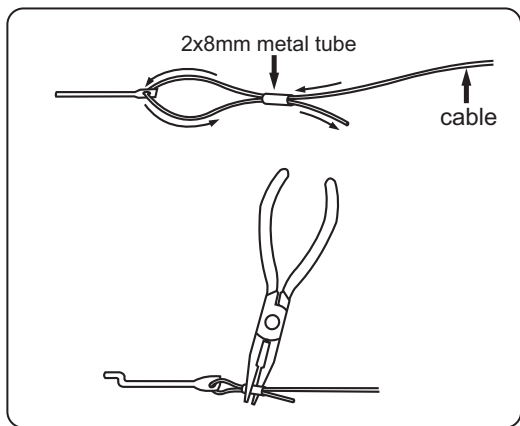


23x8mm screw
4

NAVY CUB section 16 SERVO & LINKAGES

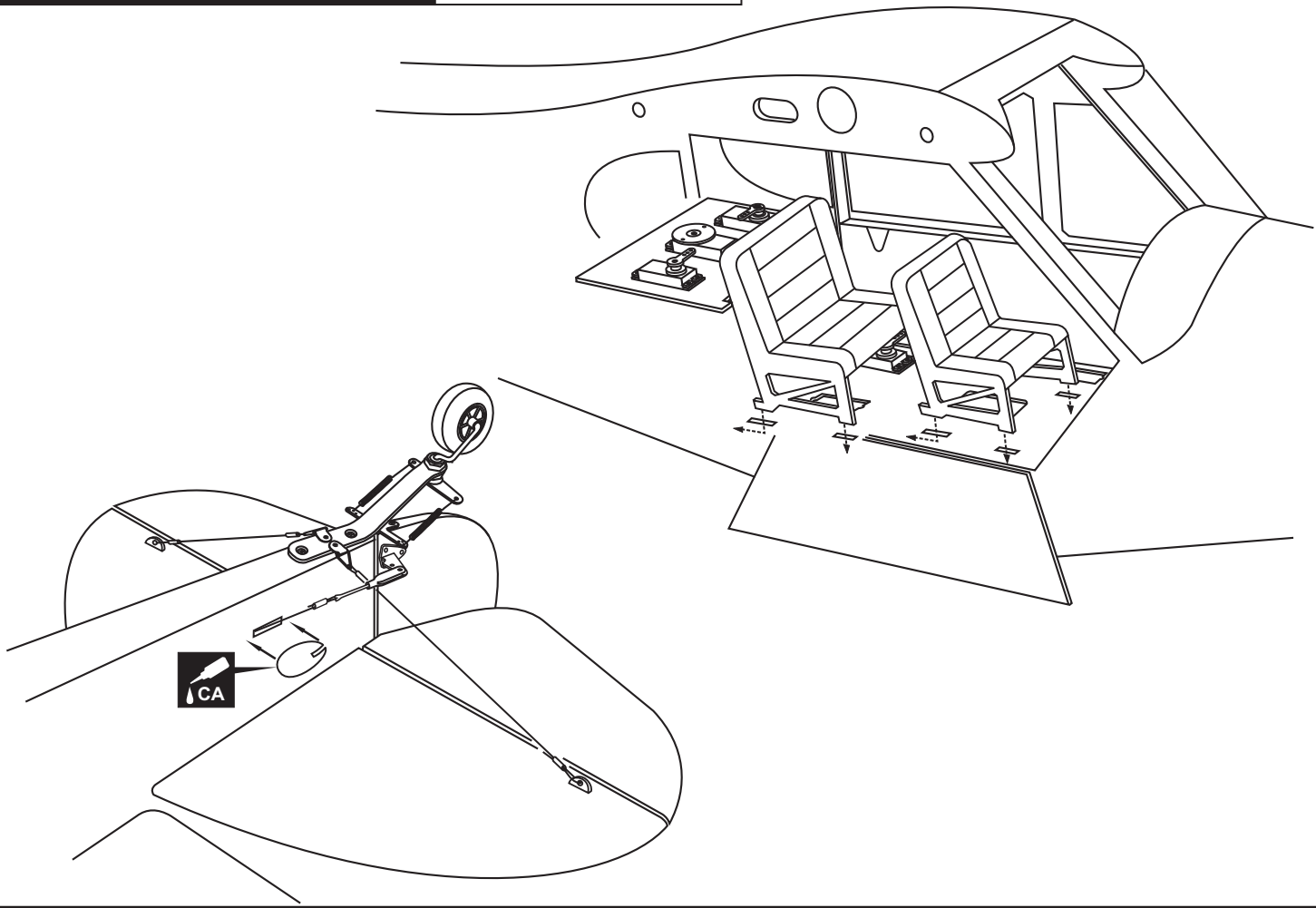


Elevator Servo (1) (3)
 Rudder Servo (2)
 Throttle Servo (4)

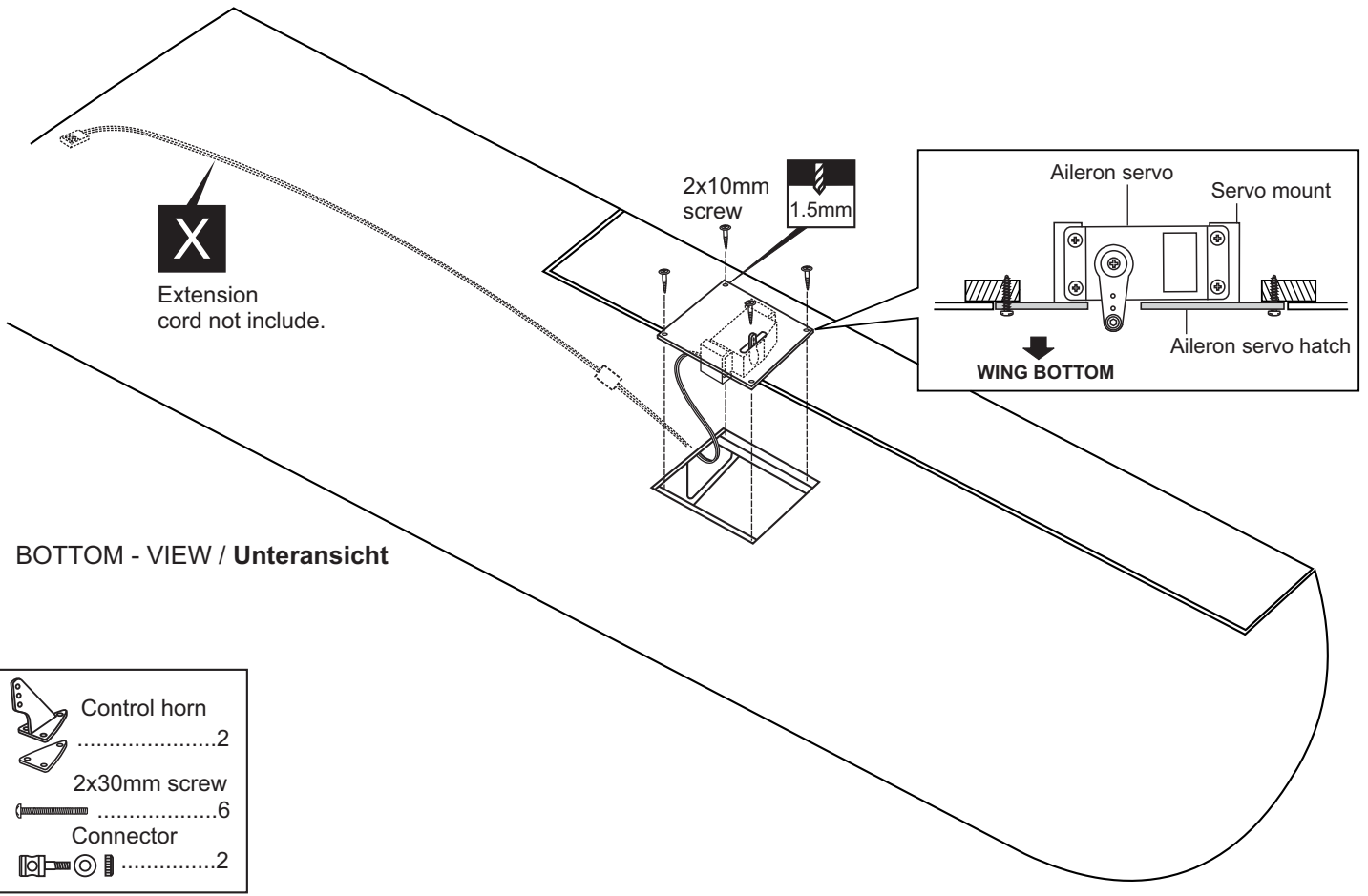


-4
-2
-2
- 2x8mm metal tube
-4
-2

NAVY CUB section 17 PILOT CHAIR



NAVY CUB section 18 AILERON SERVO & LINKAGE



NAVY CUB section 21 WING INSTALLATION

Aluminum tube

Slide the aluminum tube into the fuselage as shown.

Carefully, push the wing halves to the fuselage.

L/R Do the same way with other wing halves.

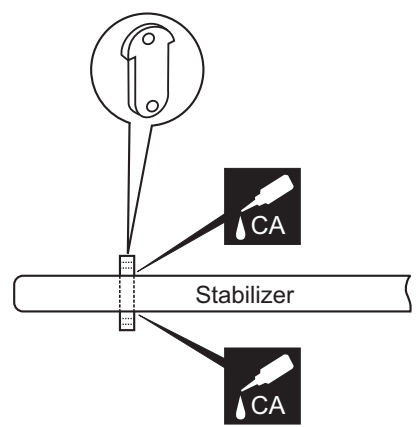
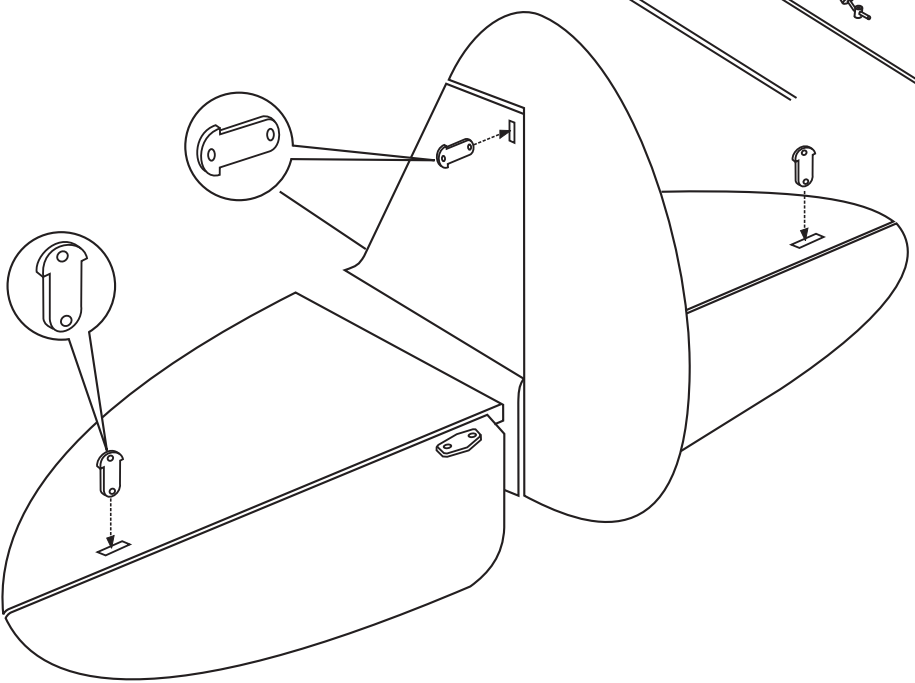
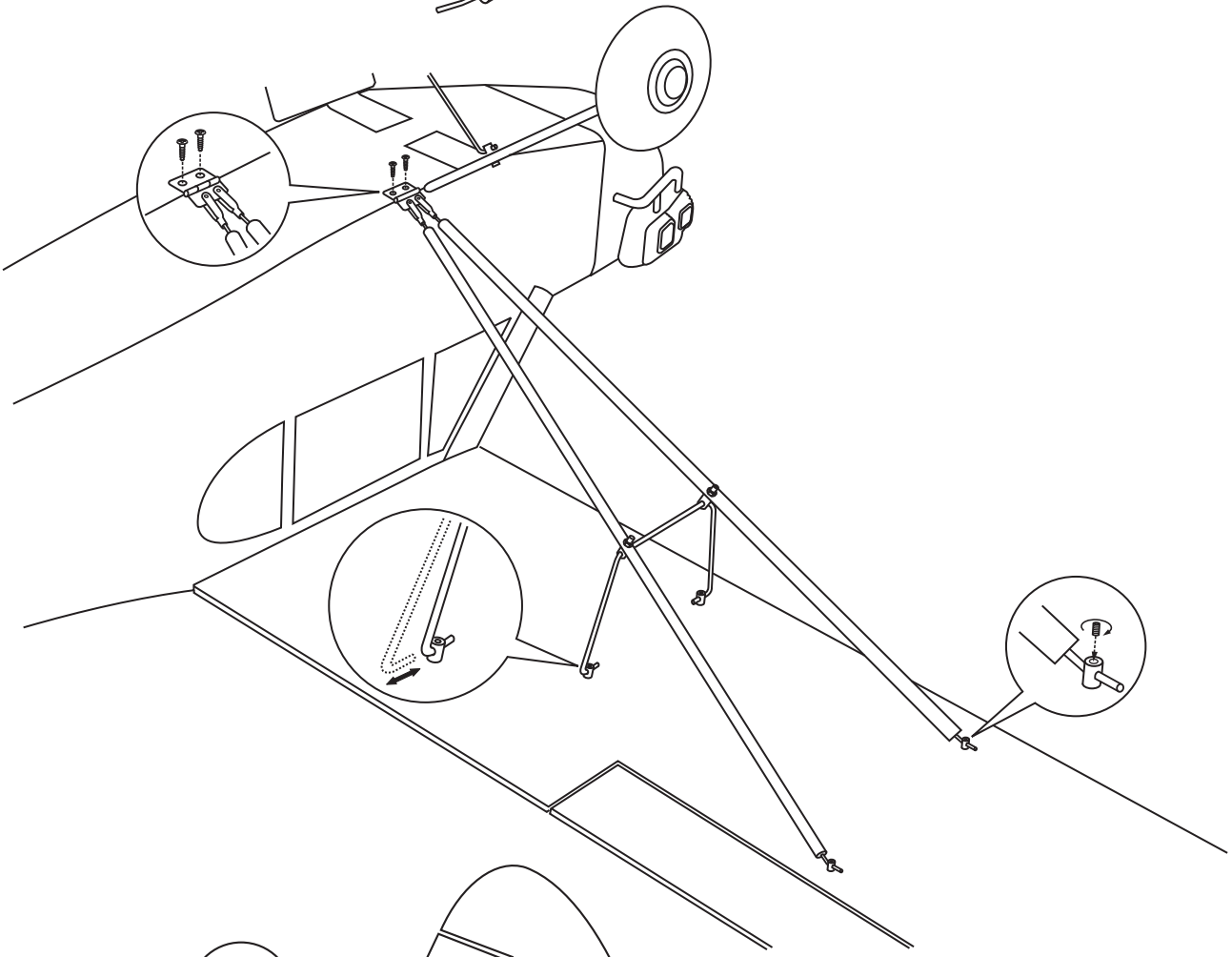
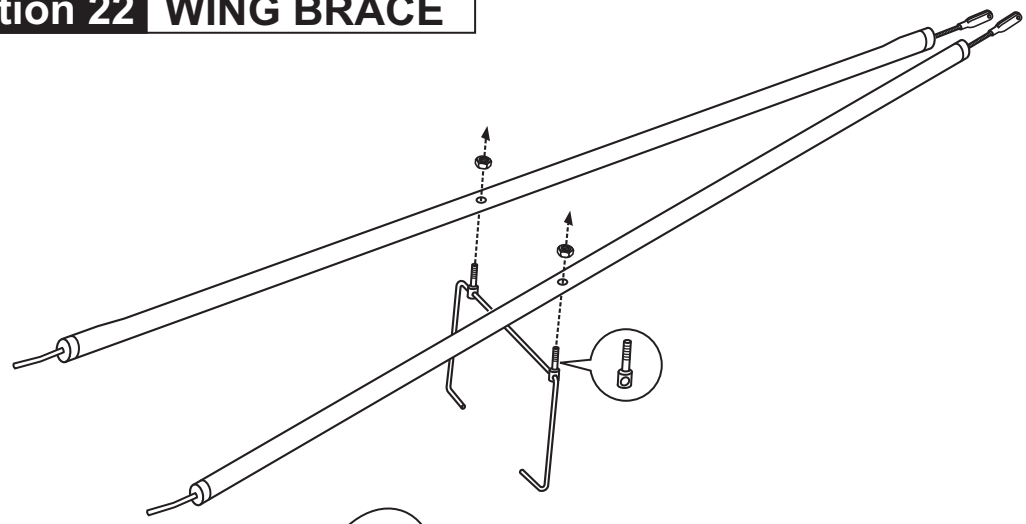
Secure the wing halves in place using 6mm nylon bolts.

L/R Do the same way with other wing halves.

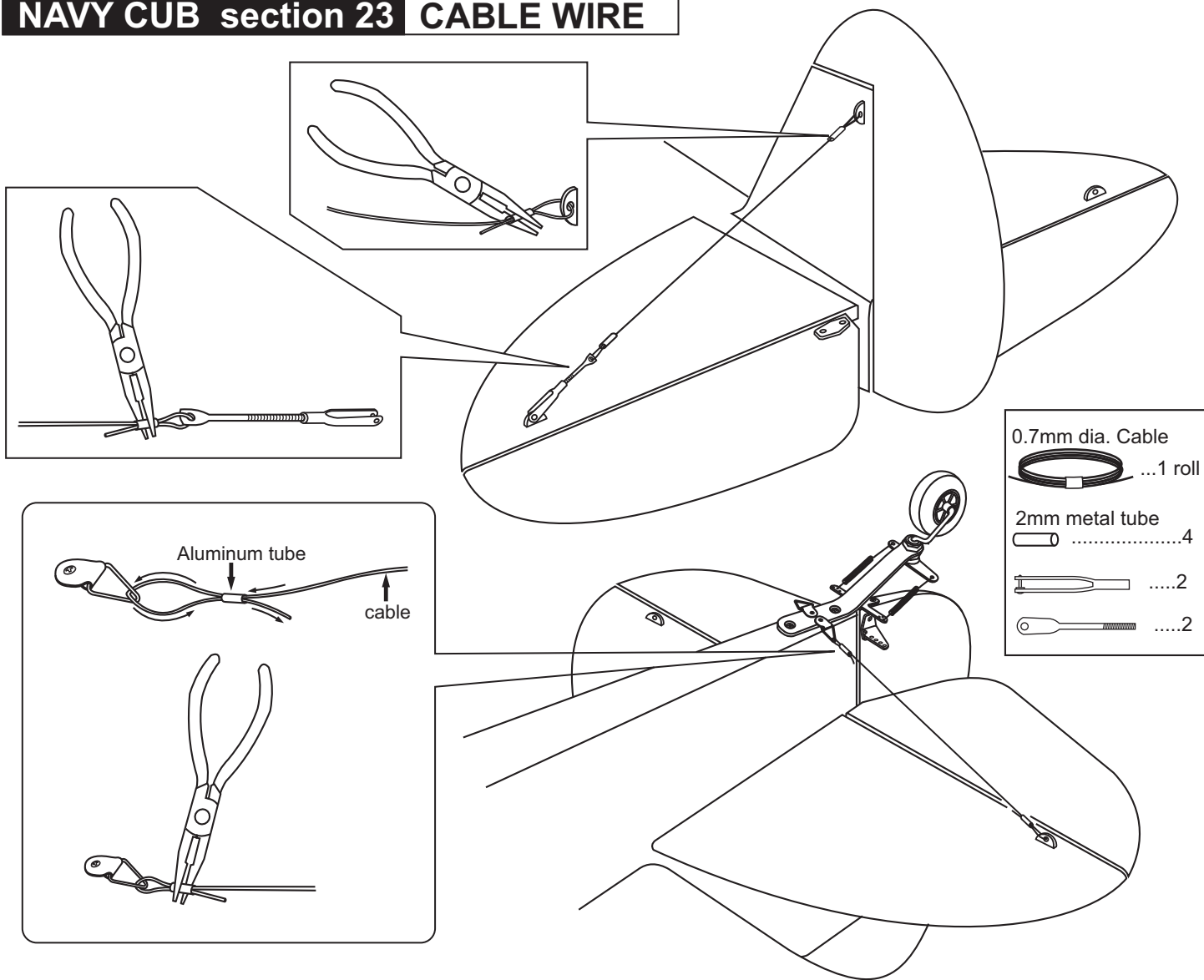
6mm nylon bolt



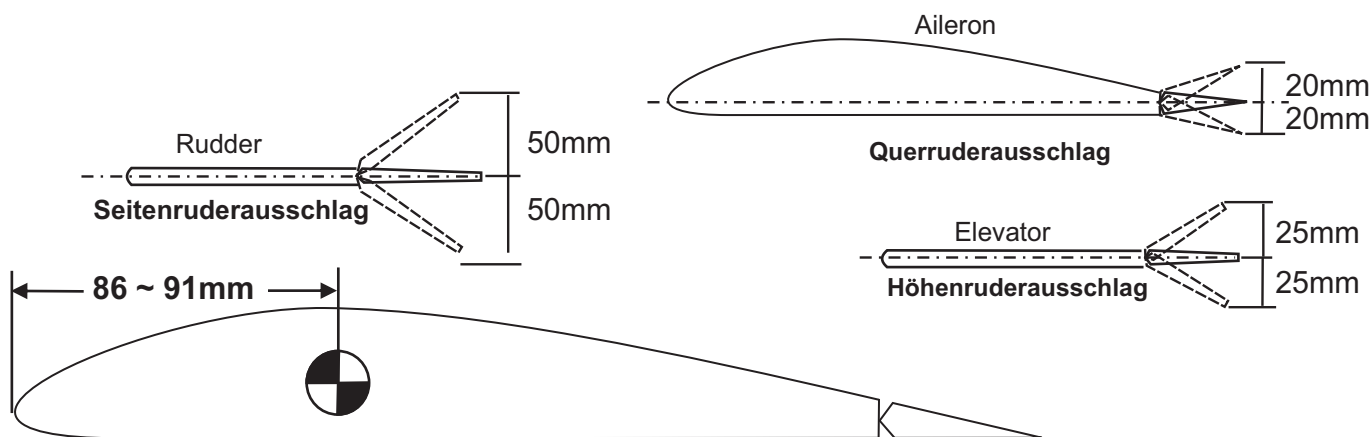
NAVY CUB section 22 WING BRACE



NAVY CUB section 23 CABLE WIRE



NAVY CUB section 24 BALANCE & CONTROL SURFACE



Do not try to fly an out-of balance model!
Überprüfen Sie vor dem Flug den Schwerpunkt.

IMPORTANT: Please do not clean your model with pure alcohol, only use liquid soap with water or use glass cleaner to clean on surface of your model to keep the colour not fade.

WARNING !

Do not put in a large-than recommended engine. A bigger engine does not necessarily mean better performance.

All details are subject to change without notice !

Technische Änderungen und Irrtümer vorbehalten !